

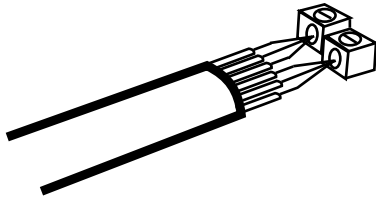
# Securefašt

## Acet/Tonna 2 entrance audio Quick Start Guide and troubleshooting

Aug 2018

01704 502815 for Technical Support

Cabling 6 core alarm cable to each phone.  
Use 3 cores per terminal as diagram below.  
Use same cable for interconnection  
between panels.

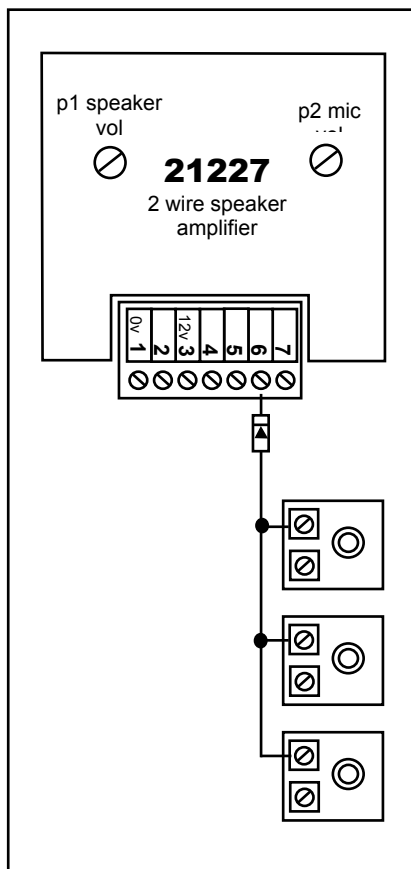


Transformers must be within 15m of relevant  
entry panel.

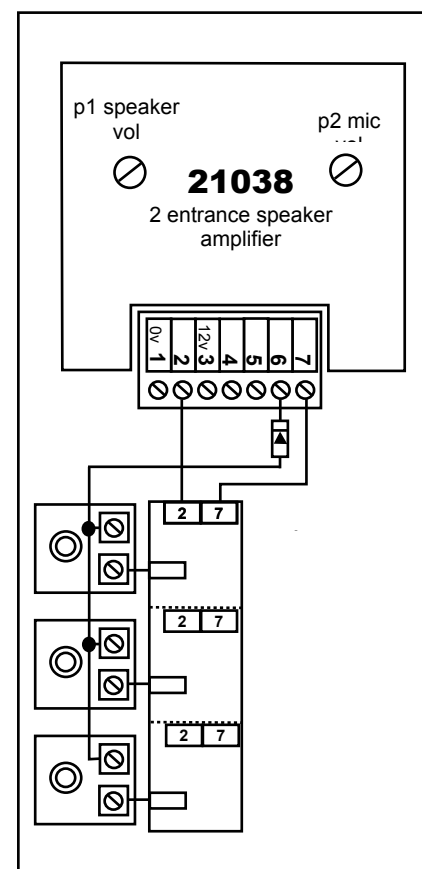
If using d.c. locking devices please contact us  
for advice.

### Multiple way systems - for one way system see last page

#### Panel 1 pre wired configuration



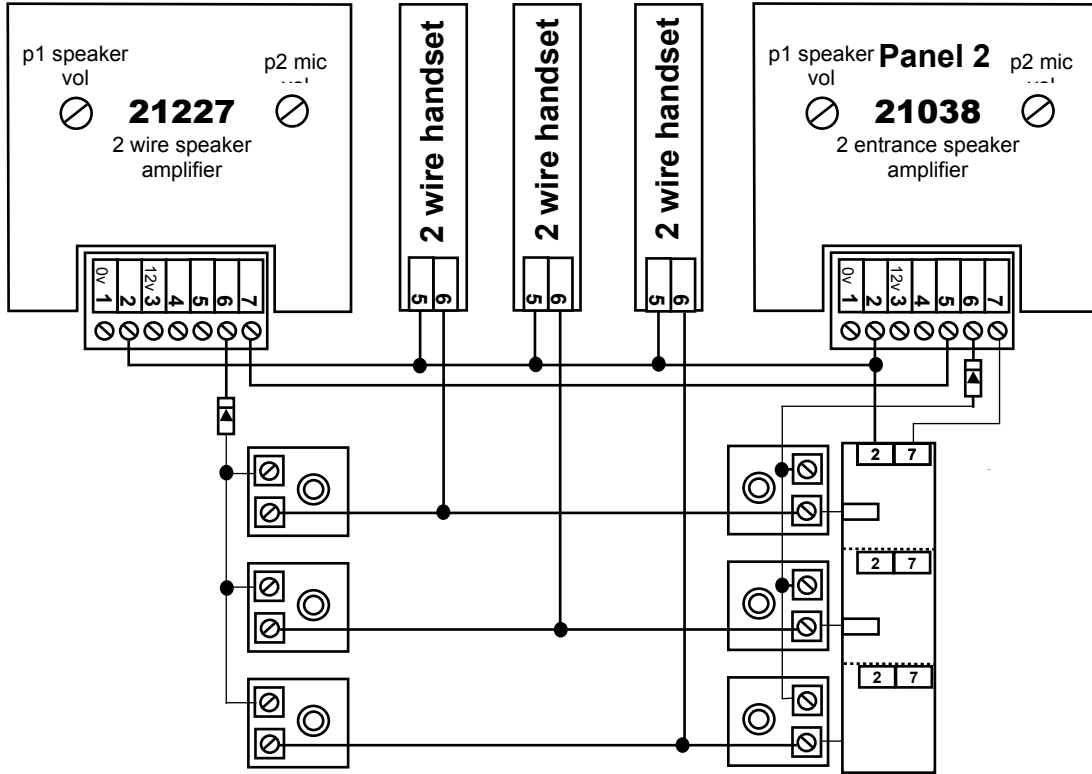
#### Panel 2 pre wired configuration



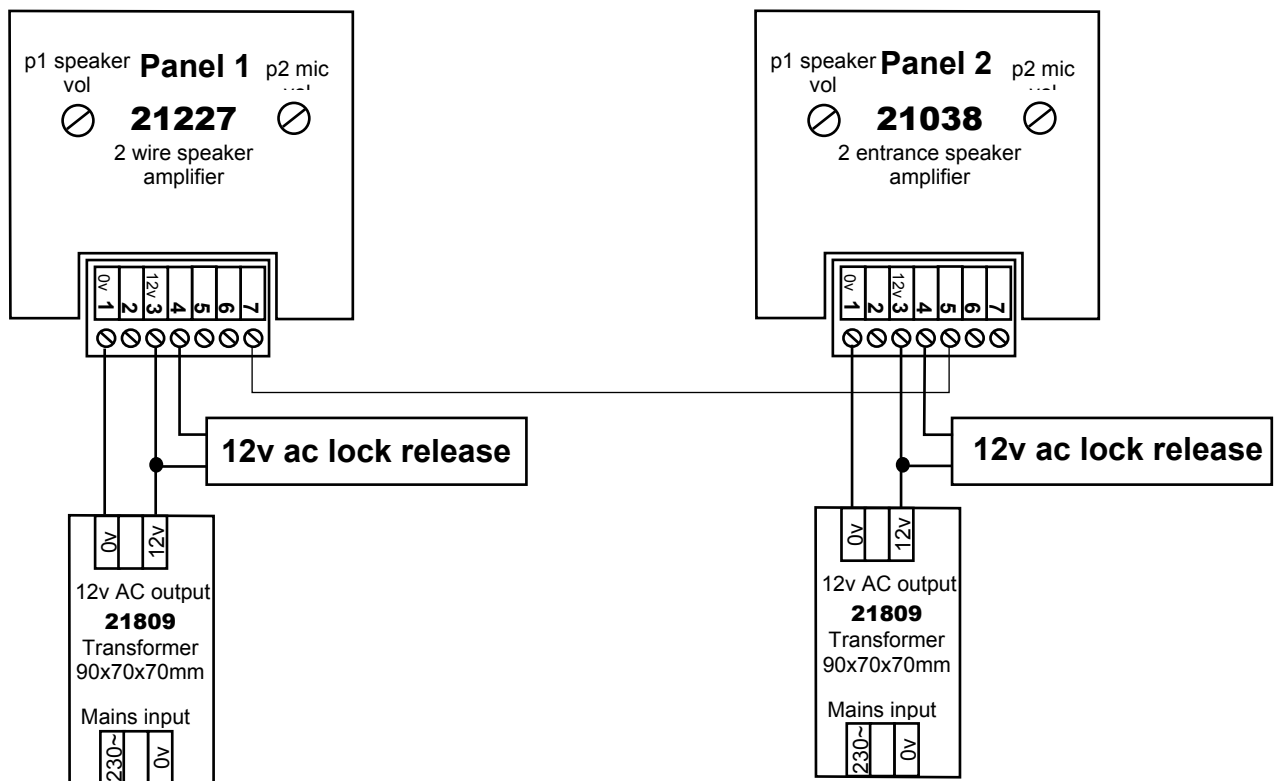
## Acet/Tonna 2 entrance audio Quick Start Guide and troubleshooting

01704 502815 for Technical Support

### Step 1 Connect the phones



### Step 2 Connect the transformers and lock releases



# Securefašt

## Acet/Tonna 2 entrance audio Quick Start Guide and troubleshooting

Aug 2018

01704 502815 for Technical Support

### Step 3 Test the System

#### Visit Panel 1

Does each call button call its phone?  
Once called is there speech to the phone?  
Does the phone release the lock?

#### Visit Panel 2

Does each call button call its phone?  
Once called is there speech to the phone?  
Does the phone release the lock?

#### Visit Panel 1

Does the system now switch back to this panel?

Please bear in mind that you will only get speech on a phone that has been called and to the panel that called it

### Call Tone Problems

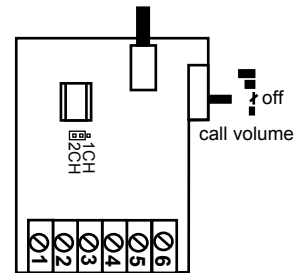
Please note that during 2011 the 2 wire handset was changed. The previous electro mechanical buzzer was removed and replaced with an electronic chip that generates the call tone.

For multi entrance systems the jumper on the circuit board should be set to the **2CH** position. This is also necessary if replacing handsets on an older system.

If problems still exist then it may be necessary to adjust the switch on the reverse of the speaker amplifier pcb (where fitted it is on the same side as components)

Please note that the handset will only ring if it is latched on the cradle.

Please also check that the slider switch on the base of the handset is not set to the off position.



### Voltage Checks

#### At each panel in turn

Terminals 1 & 3 12v ac

Terminals 2 & 7 14-18v dc

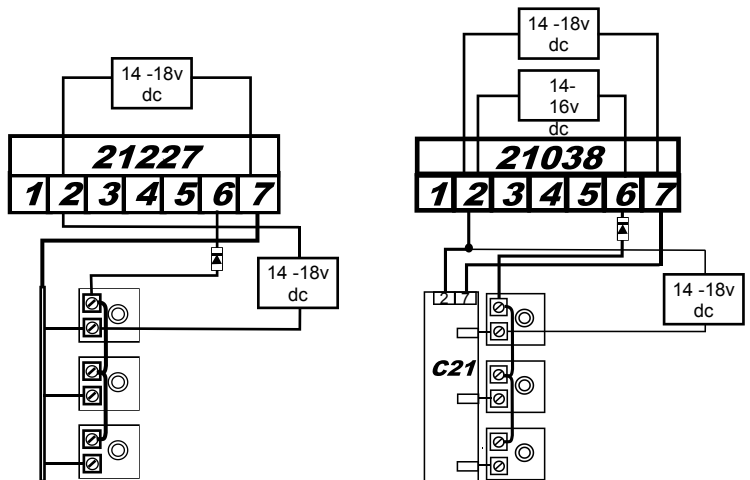
If no or low voltage across 2 & 7 remove wires, tighten screws and repeat

Terminals 2 & 6 12-18v dc

If no or low voltage across 2 & 6 remove wires, tighten screws and repeat

Short, momentarily terminal 2 to 7.

Metering across 3 & 4 should give approx. 12v ac



## One way system configuration

