

SBL365 Mechanical Digital Locks with Latch



The Easy Code SBL365 range is lever operated and has been designed to simplify the code changing process by eliminating the need to move retainers around in the mechanism.

The SBL365 range of fire rated mechanical digital locks has been tested to EN1634-1 for use on 30 min. and 60 min. fire door's. Intumescent fitted to the lock is essential for use in fire doors creating additional protection to the door's overall performance.

The Securefast intumescent fire door seal is supplied around the tubular latch for a quicker, easier, cleaner and accurate solution on Securefast mechanical digital locks. To complete the package seals are provided for behind the striker.

Mechanical digital locks are used extensively in hospitals, schools, universities etc. on fire doors, therefore it is important that the integrity of the door is not compromised by failing to omit the intumescent seals.



Fire-rated mechanical digital locks are supplied complete with intumescent attached ready for installation.

Certification

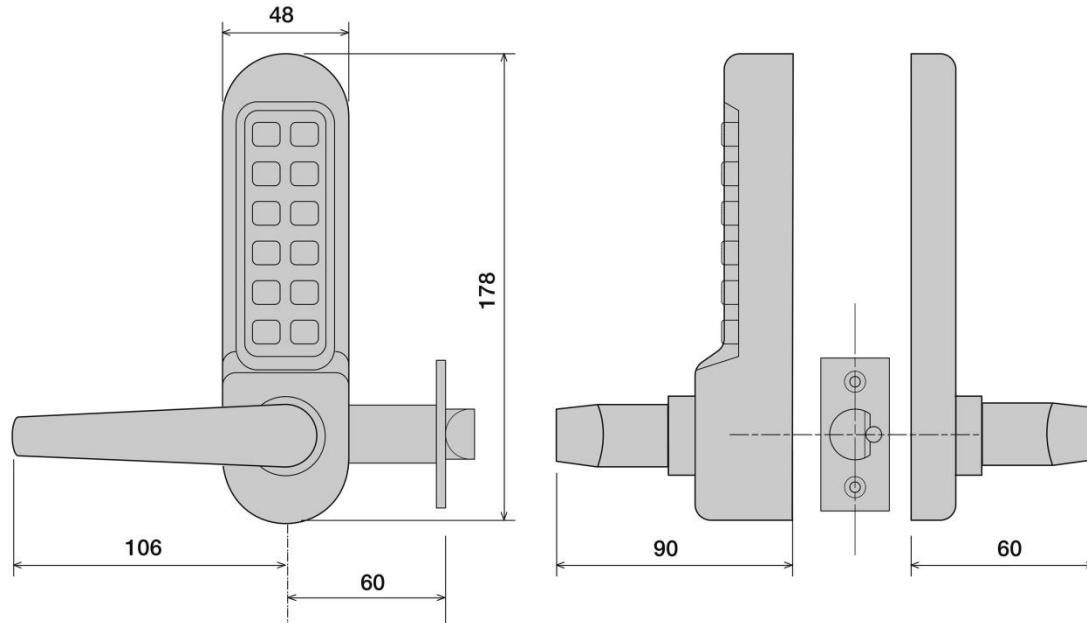
The SBL365 mechanical digital lock range has been certified to EN1634-1 for use on 30 min. and 60 min. timber fire doors by Exova Warrington:-
Report no. 322545 dated 2nd November 2012

Features & Benefits

- Supplied with tubular latch
- Lever both sides
- Successfully fire tested to EN1637 for use on timber fire doors up to 1 hour
- Suitable for external use having completed 240hr salt spray test to EN1670
- Clutch mechanism on lever handle to prevent damage
- Suitable for timber and steel doors 35-65mm thick
- Compact and robust zinc die cast body
- Free passage mode
- Supplied with black neoprene seals

SBL365 Mechanical Digital Locks with Latch

Product Code	Description	Fire Rated	Finish	Available Code Buttons	No. Digits per Code	Non-Sequential Combinations	Dimensions (mm)			Fixing Centres
							Height	Width	Depth	
SBL365.S	Standard with Knob & Hold Back		Satin Chrome	10	1-10	>800	178	48	90	158
SBL365.SFR	Standard with Knob & Hold Back	●	Satin Chrome	10	1-10	>800	178	48	90	158



For further information contact:

Securefast plc
 6, The Cedars Business Centre
 Avon Road, Cannock
 Staffordshire
 WS11 1QJ



Call > +44 (0) 1704 502 801

Email > sales@securefast.co.uk

Visit > www.securefast.co.uk