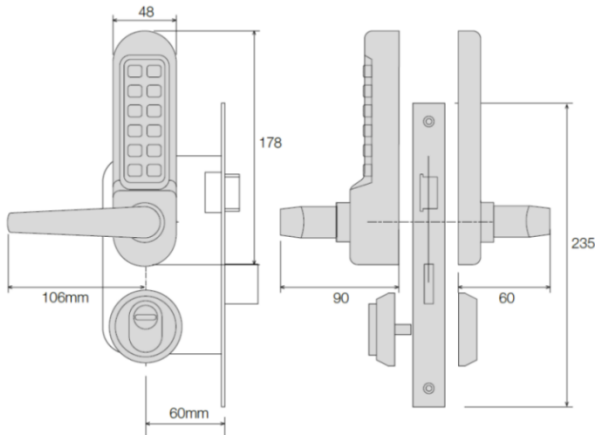


SBL365 Mechanical Digital Locks with a Mortice Lock Case



SBL365.SLFR/94



The SBL365 range of digital locks with the lock case are available with an Escape Sash Lock allowing safe egress from the inside with one action every time, a Mortice Night Latch with an anti thrust increasing security of the latch bolt by preventing it from being forced back and a Mortice Sash Lock offering a separate deadbolt which is secured by the key and not controlled by the mechanical digital lock.

The SBL365 range of fire rated mechanical digital locks has been tested to EN1634-1 for use on 30 min. and 60 min. fire door's. Intumescent fitted to the lock is essential for use in fire doors creating additional protection to the door's overall performance.

The Securefast intumescent seal SIN1090 is supplied with the fire rated package for easier and accurate solution. To complete the package seals are provided for behind the striker.

Mechanical digital locks are used extensively in hospitals, schools, universities etc. on fire doors, therefore it is important that the integrity of the door is not compromised by failing to omit the intumescent seals.

Certification

The SBL365 mechanical digital lock range has been certified to EN1634-1 for use on 30 min. and 60 min. timber fire doors by Exova Warrington:-
 Report no. 322545 dated 2nd November 2012
 Report no. 190488 dated 24th March 2010
 Report no. 187478 dated 27th April 2010

Features & Benefits

- The intumescent has been tested in accordance with BS EN 1363: PT 1: 1999 and expands to 5 to 10 times their original size sealing the gaps around the lock case
- These fire rated units have "Easy Code" change
- The package is supplied complete with Digital Lock, Mortice Sash Lock or Night Latch with anti-thrust, Escape Sash Lock, Cylinder, Security Escutcheon to suit and Intumescent for the lock case

SBL365 Mechanical Digital Locks with a Mortice Lock Case

Product Code	Description	Fire Rated	Type	Available Code Buttons	No. of Digits per Code	Dimensions (mm)			Fixing Centres
						Height	Width	Depth	
SBL365.SLFR/91	Sash Lock	●	Square	10	1-10	178	48	90	158
SBL365.SLFR/91R	Sash Lock	●	Round	10	1-10	178	48	90	158
SBL365.SLFR/94	Night Latch	●	Square	10	1-10	178	48	90	158
SBL365.SLFR/94R	Night Latch	●	Round	10	1-10	178	48	90	158
SBL365.SLFR/95	Escape Sash Lock	●	Square	10	1-10	178	48	90	158
SBL365.SLFR/95R	Escape Sash Lock	●	Round	10	1-10	178	48	90	158
SBL365.SL/91	Sash Lock		Square	10	1-10	178	48	90	158
SBL365.SL/91R	Sash Lock		Round	10	1-10	178	48	90	158
SBL365.SL/94	Night Latch		Square	10	1-10	178	48	90	158
SBL365.SL/94R	Night Latch		Round	10	1-10	178	48	90	158
SBL365.SL/95	Escape Sash Lock		Square	10	1-10	178	48	90	158
SBL365.SL/95R	Escape Sash Lock		Round	10	1-10	178	48	90	158



For further information contact:

Securefast plc
 6, The Cedars Business Centre
 Avon Road, Cannock
 Staffordshire
 WS11 1QJ



Call > +44 (0) 1704 502 801

Email > sales@securefast.co.uk

Visit > www.securefast.co.uk