

Fire Rated Mechanical Digital Locks with a Mortice Lock Case



SBL365.SLFR-91 with Sash Lock



SBL365.SLFR-94 with Night Latch



The SBL365 range of fire rated mechanical digital locks has been tested to EN1634-1 for use on 30 min. and 60 min. fire door's. Intumescent fitted to the lock is essential for use in fire doors creating additional protection to the door's overall performance.

The Securefast intumescent fire door seal is supplied around the lock case for a quicker, easier, cleaner and accurate solution on Securefast mechanical digital locks. To complete the package seals are provided for behind the striker.

Mechanical digital locks are used extensively in hospitals, schools, universities etc. on fire doors, therefore it is important that the integrity of the door is not compromised by failing to omit the intumescent seals.



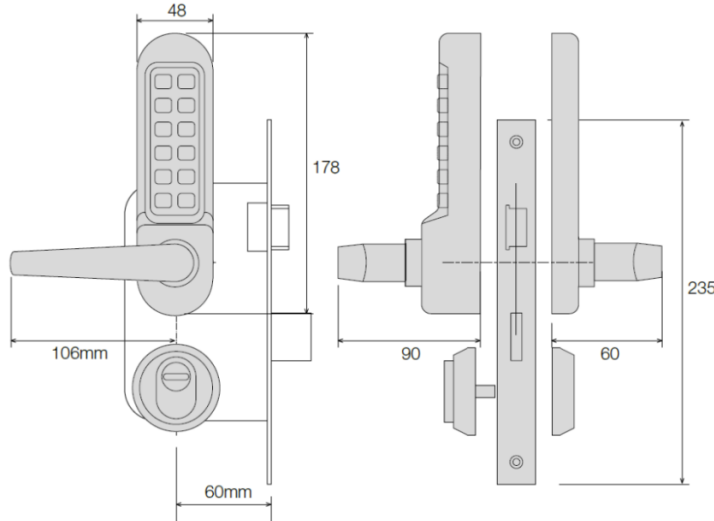
Security Escutcheon



Intumescent when fitted to the lock case

Fire Rated Mechanical Digital Locks with a Mortice Lock Case

Technical Drawing



Features & Benefits

- The SBL365 digital lock range has been certified for use on 30 min. and 60 min. timber fire doors to EN1634-1 by Warrington Fire - Test Report 190488 and 322545
- The intumescent has been tested in accordance with BS EN 1363: PT 1: 1999 and expands to 5 to 10 times their original size sealing the gaps around the lock case
- Intumescent material is activated at temperatures between 100 - 150°C
- These fire rated units have "Easy Code" change
- The package is supplied complete with Digital Lock, Mortice Sash Lock or Night Latch with anti-thrust, Cylinder, Security Escutcheon to suit and Intumescent for the lock case
- The lock cases have been tested to EN12209 by Exova – Test reports 189597 and 322545

	SBL365/SLFR-91	SBL365/SLFR-91R	SBL365/SLFR-94	SBL365/SLFR-94R
Lock Type	Sash Lock	Sash Lock	Night Latch	Night Latch
Forend Style	Square	Round	Square	Round
Dimensions (mm) H x W x D	178 x 48 x 90	178 x 48 x 90	178 x 48 x 90	178 x 48 x 90
Fixing Centres	158	158	158	158
Available Code Buttons	10	10	10	10
No. of Digits per Code	1 - 10	1 - 10	1 - 10	1 - 10
Non-sequential Codes	>800	>800	>800	>800

For further information contact:

Securefast plc
 Unit 6 & 7
 The Cedars Business Centre
 Avon Road, Cannock
 Staffordshire
 WS11 1QJ



Call > +44 (0) 1543 501600

Email > sales@securefast.co.uk

Visit > www.securefast.co.uk