

SBL330 & SBL330.SL Easy Code Plus Mechanical Digital Locks



SBL330.S



SBL330.SL

The 'Easy Code Plus' Digital Lock range has an enhanced security mechanism that prevents the code from being easily detected by professional villains.

The unit is designed to offer a simple and convenient means of providing security for low to medium traffic areas such as storerooms, workshops, plant rooms and offices.

The Easy Code units have also been successfully fire rated for use on fire doors to EN1634-1 and also externally approved have completed a 240 salt spray test to EN1670.

Fire-rated mechanical digital locks are supplied complete with intumescent attached ready for installation.

The SBL330.S has a large turn knob on the inside unit for easy egress and houses a hold back snib for the tubular latch.

The SBL330.SL has a lever handle both sides with no hold back feature.

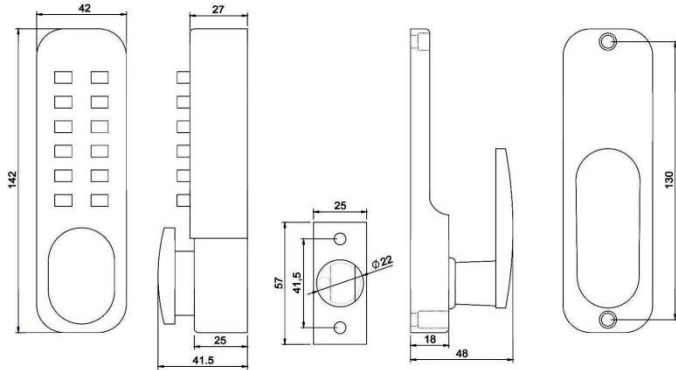
The units are non handed to suit both left and right handed doors.



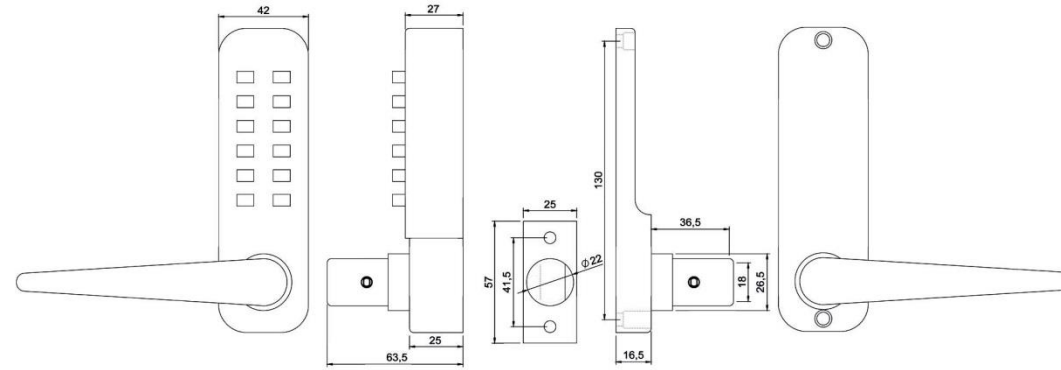
Features & Benefits

- Includes a mechanism unit which is superior to the conventional systems as the code is easy changed
- Clutch mechanism on lever handle to prevent damage to internal parts
- Easy Code change by rotating dials on the reversed side of the outside unit
- Over 2000+ different non-sequential code combinations
- Single User Code of 1-11 digits
- Suitable for internal and external use
- Suitable for timber doors from 35-65mm in thickness
- Compact and robust zinc die cast body
- Supplied with 2 neoprene seals for behind the units

SBL330 & SBL330.SL Easy Code Plus Mechanical Digital Locks



SBL330.S



SBL330.SL

Product Code	Description	Fire Rated	Finish	Available Code Buttons	No. Digits per Code	Non-Sequential Combinations	Dimensions (mm)			Fixing Centres
							Height	Width	Depth	
SBL330.SFR	Standard with Knob & Hold Back	●	Satin Chrome	11	1-11	>2000	142	41	38	130
SBL330.S	Standard with Knob & Hold Back		Satin Chrome	11	1-11	>2000	142	41	38	130
SBL330.SLFR	Standard with Lever	●	Satin Chrome	11	1-11	>2000	142	41	65	130
SBL330.SL	Standard with Lever		Satin Chrome	11	1-11	>2000	142	41	65	130

For further information contact:

Securefast plc
6, The Cedars Business Centre
Avon Road, Cannock
Staffordshire
WS11 1QJ



Call > +44 (0) 1704 502 801

Email > sales@securefast.co.uk

Visit > www.securefast.co.uk