

### Sliplock™ Window Restrictor



***Securefast unobtrusive Sliplock™ Window Restrictor is designed for safety, and to reduce the risk of falling out of a window. It can be fitted to doors to deter forced access from unwanted visitors.***

The Sliplock™ window restrictor is suitable for the home, public properties, and commercial applications. Perfect for buildings such as care homes, hotels, nurseries, schools, universities and hospitals. The Sliplock™ window restrictor is ideal for all properties looking to prevent accidents and provide improved safety and additional security for opening windows and doors.

#### Stock Code

SBC400/WE- Sliplock with Key - White  
SBC410/WE- Sliplock with Push Button – White  
SBC400/KEY – Pack of 5 Spare Keys

#### Features & Benefits

- Sliplock™ is a trade mark of Securefast
- The window restrictor has a metal cable securely fixed between two robust metal units
- The restrictor locks by sliding the detachable unit over a back plate fixed to the window opening
- Frame unit is fixed securely to the frame giving restriction by length of cable and positioning on the frame
- Features a dedicated key to release the locking case
- Casing slides off the back plate once unlocked to allow full access to the window when needed for maintenance
- Classified as child safety restrictor due to limited opening
- Fixings Supplied- 5 x Self Tapping Screws 4.2mm x 25mm
- Option of key or push button operation

#### Certification

BS EN 13126-5 : 2011 + A1 : 2014  
BS EN 14351-1 : 2006 + A1 : 2010

### Sliplock™ Window Restrictor



SBC400/WE

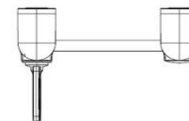
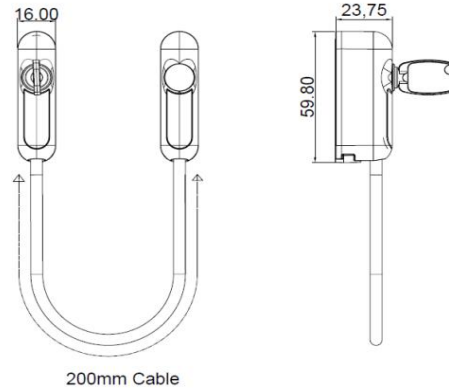
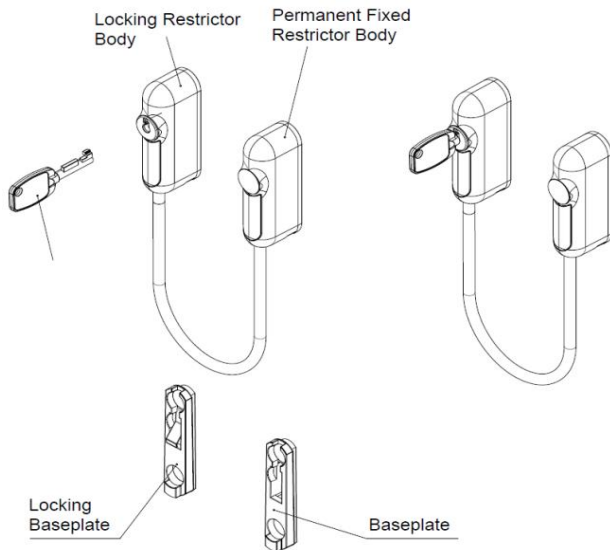
#### Certification

**BS EN 13126-5 : 2011 + A1 : 2014** Building Hardware for Window and Door Height Windows. Devices that restrict the opening of windows and door height windows.

**BS EN 14351-1 : 2006 + A1 : 2010** Windows and doors. Product standard, performance characteristics. Windows and external pedestrian door sets without resistance to fire and/or smoke leakage characteristics

#### Technical Features

- Durability Grade 5, successfully completed 25,000 cycle test
- Withstood a 500N load being applied for 60 seconds in the direction of the window opening
- Achieved Grade 1 impact rating where a 50kg load was dropped from a height of 200mm and the unit remained engaged
- Restrictor cord remained intact after being subjected to 3600N of pressure being applied at 100N/s via a movable punch
- Successfully achieved Grade 3 rating for 'Safety in use' and Grade 7 rating for 'Application Grade'



For further information contact:

**Securefast plc**  
6, The Cedars Business Centre  
Avon Road, Cannock  
Staffordshire  
WS11 1QJ



**Call** > +44 (0) 1704 502 801

**Email** > sales@securefast.co.uk

**Visit** > www.securefast.co.uk