

### DoorSense



***DoorSense from UNION is an easy way to hold fire doors open but remains effective, so that it releases the door on the sound of the fire alarm.***

Battery operated and a standalone unit, the DoorSense unit which can be fixed to a fire door in seconds to provide a reliable way to keep it open, but will automatically release if the fire alarm sounds.

Easy to install, the DoorSense needs, no wiring or special skills. Just use the template provided and can even use the same footprint as other units.

Once installed you can have DoorSense working manually - using the foot release or by pushing the door away from the frame - or automatically using the pre-set night release timer.

#### Features & Benefits

- Acoustic release door hold open device
- Suitable for use in conjunction with size 3 to size 7 door closers
- Suitable for doors up to 160Kg and 1600mm width
- CE Marked to EN 1155 and EMC tested
- Fire rated for timber (FD120) fire doors
- 2 year guarantee for peace of mind
- Powered by 2xC alkaline batteries which are included
- Low battery indicator
- Timer can be set to automatically release DoorSense during out of hours
- Release sensitivity can be adjusted to suit your environment
- Automatically releases with sounds greater than 80dB and longer than 15 seconds
- Fail safe mode automatically releases DoorSense
- Curved shape to deflect impacts and help prolong working life

Code	Description
AUN-8755-A	DoorSense Acoustic Door Hold Open Unit (Black)

### DoorSense

#### Safe

- Unlike a door wedge, DoorSense releases an open door when the fire alarm sounds, allowing it to be closed
- CE Marked to EN 1155 and fire rated (FD120) for use on timber doors to give installers and end users peace of mind



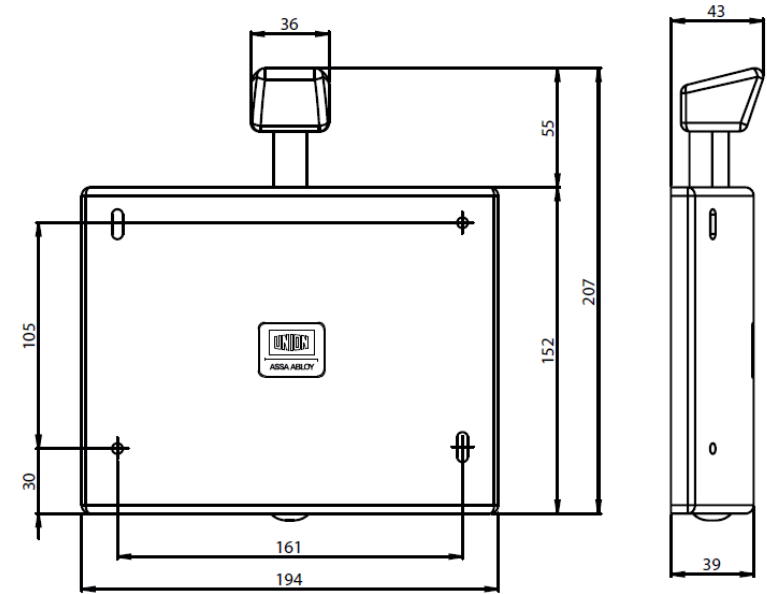
#### Simple

- Easy to install – No wiring or specialist skills needed. Simple clear instructions with a template provided. Watch a guide at [www.uniononline.co.uk/doorsense](http://www.uniononline.co.uk/doorsense)
- Low Maintenance costs – Powered by two C-type batteries (included) with charge indicator for peace of mind
- Can be released manually, by sound or with the built-in timer at a pre set time



#### Versatile

- Ideal for any large or small applications where fire doors are installed including care homes, schools, public buildings, etc.
- Available in black, red or white
- Retro fits the footprint of existing products
- Designed to stay working longer, with a robust, rounded casing deflecting impacts



All dimensions are in millimetres

For further information contact:

Securefast plc  
 Unit 6 & 7  
 The Cedars Business Centre  
 Avon Road, Cannock  
 Staffordshire  
 WS11 1QJ



Call > +44 (0) 1704 502801

Email > [sales@securefast.co.uk](mailto:sales@securefast.co.uk)

Visit > [www.securefast.co.uk](http://www.securefast.co.uk)