

### AEM19001 & AEM19002 Hold-Open Electro-Magnets



**AEM19001**



**AEM19002**



*The new Fire Door Hold Open Magnets are designed for holding open doors in a public area, and released where the doors are closed in the event of fire detection.*

The Magnets are ideal units for swing fire doors. Both units are designed with heavy duty steel construction making the units suitable for swing door systems in most environments.

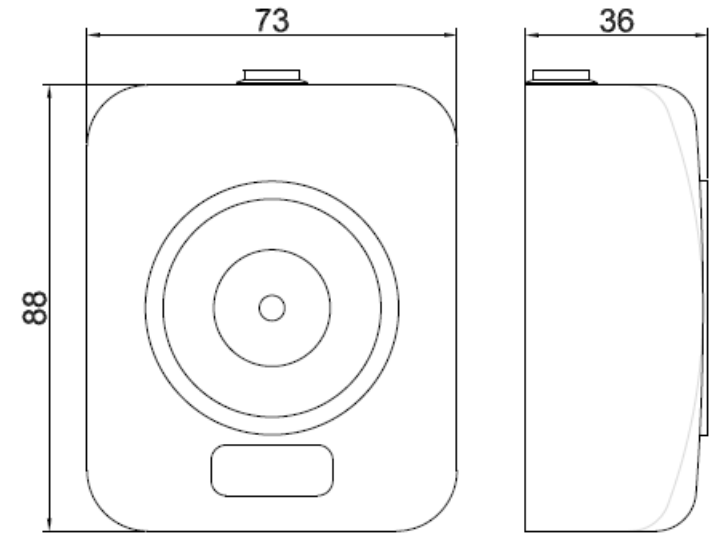
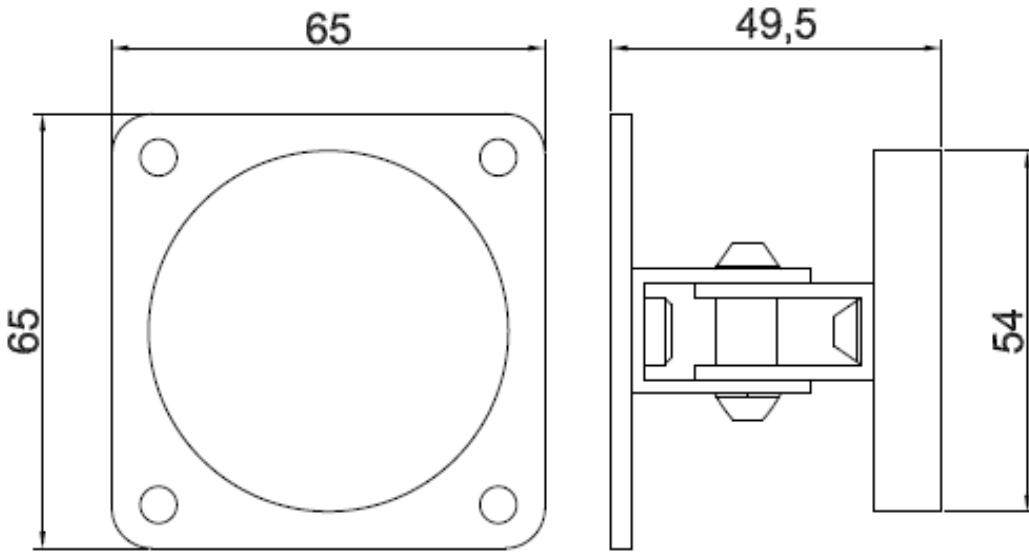
#### Features & Benefits

- Surface mounts to standard BS wiring boxes
- Holding force 55kg
- Heavy duty steel construction
- Fitted with an integral release button
- Units are supplied with armature plate
- Units can be used in conjunction with any suitable fire alarm system
- Residual anti-magnetism pin on the electromagnet body
- Operating voltage: 24V DC Absorbed current: 70 mA
- Nickel plated magnetic block
- Wall Mounted units
- Connector with anti-disturb varistor
- AEM19001 body is in black ABS with galvanized steel base
- AEM19002 body is in anodized aluminium with galvanized steel base

#### Product Code

AEM19001	Fire Door Hold Open Magnet 24V DC Plastic
AEM19002	Fire Door Hold Open Magnet 24V DC Anodized Aluminium

### AEM19001 & AEM19002 Hold-Open Electro-Magnets



CEN Standard	Classification Code					
EN 1155:2003	3	8	3 7	1	1	3

For further information contact:

**Securefast plc**  
 6, The Cedars Business Centre  
 Avon Road, Cannock  
 Staffordshire  
 WS11 1QJ



**Call** > +44 (0) 1704 502 801

**Email** > sales@securefast.co.uk

**Visit** > www.securefast.co.uk