

KAC Access Control Weather Proof Emergency Manual Call Points



Outdoor Call Points can be used in a variety of external applications and are available in green.

The plug and play design facilitates first fix capability and provides an easy to install solution of the highest quality and reliability – allowing Emergency release of Electronic locking or Access Control system.

Each unit comes with a Break Glass panel or this can be changed to a Flexible Plastic panel to allow the unit to be easily re-set.

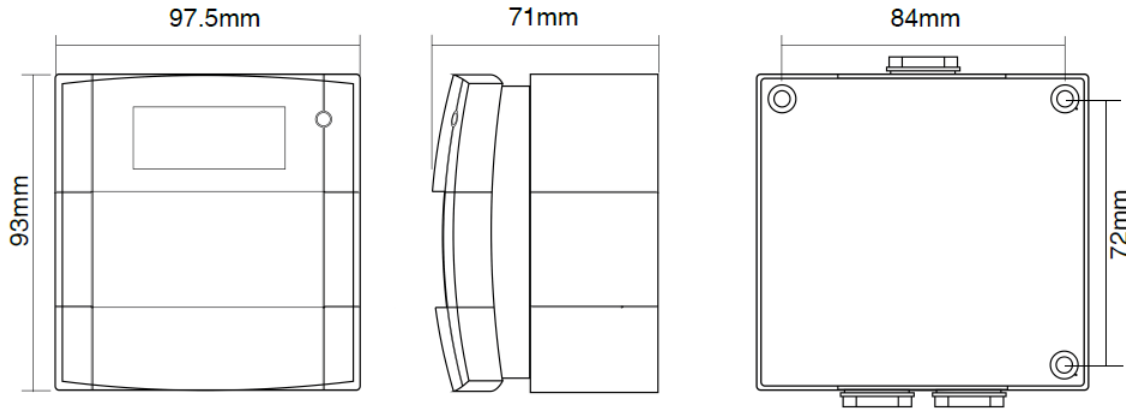
Features & Benefits

- Weather Proof to IP67 Rating
- Easy plug and play installation
- Available in single or double pole
- Break glass version
- Top or Bottom conduit cable access
- Surface mount
- All products have been rigorously tested to ensure a long life
- Tamper resistant front
- Broad temperature tolerance
- 3-year warranty

Stock Code	Description
AKA-WCP3AG-SG	WCP Weather Proof Green Break Glass Call Point (Single Pole) - Surface
AKA-WCP4A-SG	WCP Weather Proof Green Break Glass Call Point (Double Pole) - Surface

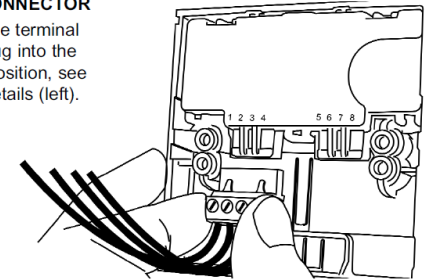
Technical Information	
Maximum Voltage Range	30v DC
Current Rating	2 Amps @ 30V DC
Operating Temperature	-25°C to 70°C
Ingress Protection	IP67
Weight	350g
Material	PC/ABS

KAC Access Control Weather Proof Emergency Manual Call Points



PUSH FIT CONNECTOR

After wiring the terminal connector, plug into the appropriate position, see connection details (left).



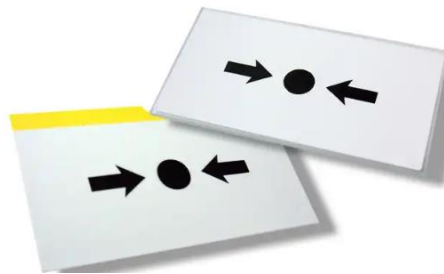
Accessories for WCP Call Points



AKA-SC070
Test/Maintenance
Key (Pack 10)



AKA-PS200
Transparent Hinged
Cover for WCP range



AKA-KG1 Spare Glass panel (top right)

AKA-PS210 Plastic panel (bottom left)

For further information contact:

Securefast plc
6, The Cedars Business Centre
Avon Road, Cannock
Staffordshire
WS11 1QJ



Call > +44 (0) 1704 502 801

Email > sales@securefast.co.uk

Visit > www.securefast.co.uk