

KAC Access Control Emergency Manual Call Points



Indoor Call Points can be used in a variety of applications and are available in both green or white.

The plug and play design facilitates first fix capability and provides an easy to install solution of the highest quality and reliability – allowing Emergency override of Electric Locking and Access Control systems.

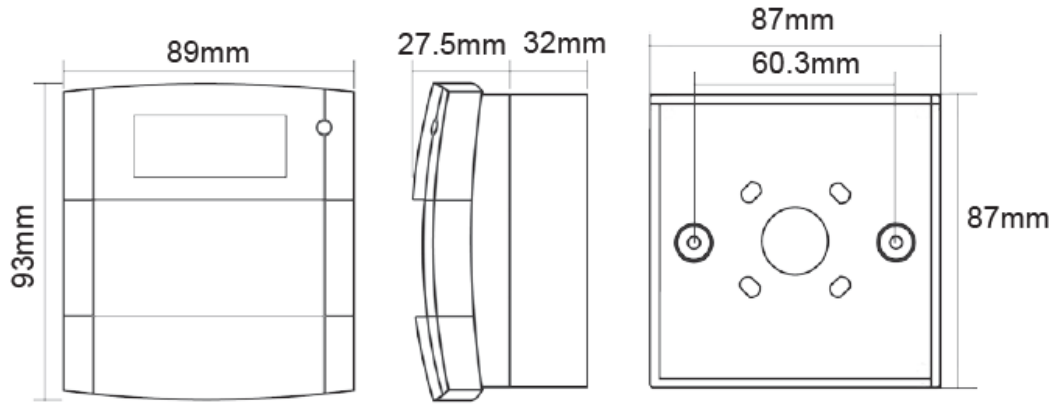
Available with either break glass or Plastic Resettable panel which allows the unit to be easily re-set with the test key.

Features & Benefits

- Easy plug and play installation
- Available in single, double and triple pole
- Available with break glass or resettable
- Simple cable access
- Surface mount for all applications
- Available in both white and green
- All products have been rigorously tested to ensure a long life
- Tamper resistant front
- 3-year warranty

Stock Code	Description
AKA-MCP3A-SG	MCP Green Break Glass Call Point (Single Pole) - Surface
AKA-MCP3A-WSG	MCP White Break Glass Call Point (Single Pole) - Surface
AKA-MCP4A-SG	MCP Green Break Glass Call Point (Double Pole) - Surface
AKA-MCP4A-WSG	MCP White Break Glass Call Point (Double Pole) - Surface
AKA-MCP3A-GF	MCP Green Resettable Call Point (Single Pole) - Surface
AKA-MCP4A-GF	MCP Green Resettable Call Point (Double Pole) - Surface
AKA-MCP8A-GF	MCP Green Resettable Call Point (Triple Pole) - Surface
AKA-MCP8A-SG	MCP Green Break Glass Call Point (Triple Pole) - Surface

KAC Access Control Emergency Manual Call Points



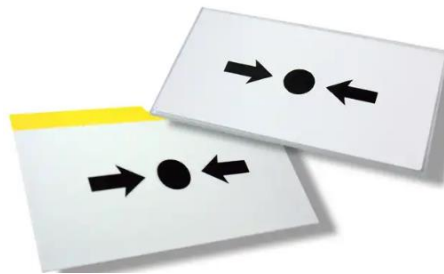
Accessories for MCP Call Points



AKA-SC070
Test/Maintenance
Key (Pack 10)



AKA-PS200
Transparent Hinged
Cover for MCP range

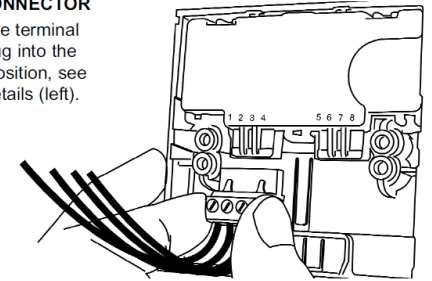


AKA-KG1 Spare Glass panel (top right)
AKA-PS210 Plastic panel (bottom left)

Technical Information	
Maximum Voltage Range	30V DC
Current Rating	2 Amps @ 30V DC
Operating Temperature	-10°C to 55°C
Ingress Protection	IP24
Weight	180g
Material	PC/ABS

PUSH FIT CONNECTOR

After wiring the terminal connector, plug into the appropriate position, see connection details (left).



For further information contact:

Securefast plc
6, The Cedars Business Centre
Avon Road, Cannock
Staffordshire
WS11 1QJ



Call > +44 (0) 1704 502 801

Email > sales@securefast.co.uk

Visit > www.securefast.co.uk