

AH111 Deedlock Reversible ANSI Mortice Electric Releases



AH111

The Deedlock reversible ANSI Mortice Electric Release series can be used on either 12 or 24V DC, and are fail locked/fail unlocked changeable in the field. With a specially designed mechanism, these electric strikes can be suited to a wide variety of applications.

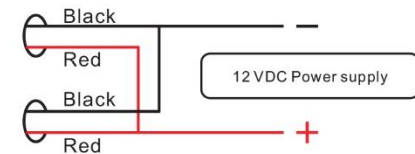
The ANSI-sized electric releases are designed to be used with mortice night latches with a latch bolt projection of 15mm max. The units are designed to be used with most hollow metal/aluminum frames.

Features & Benefits

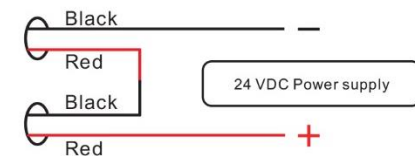
- Voltage 12/24V DC
- Fail locked/Fail unlocked changeable on site
- CE Marked
- Short and long Stainless steel plate supplied
- AH111M Monitored version available
- Optional extension lips available
- Tested to over 1 million cycles

Dual voltage 12V or 24V wiring options

For 12 VDC Optional

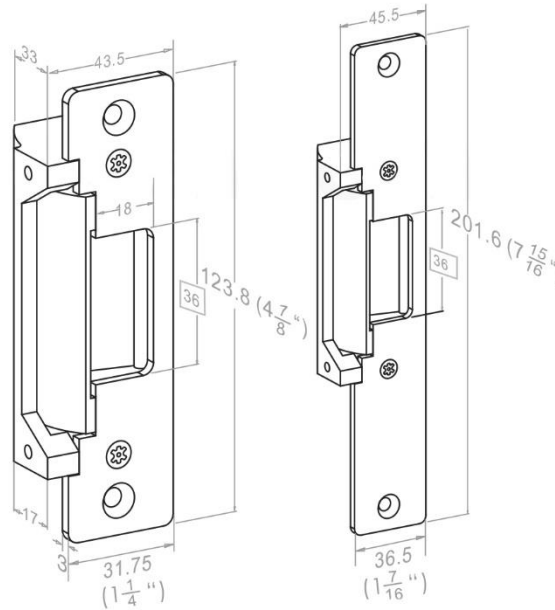
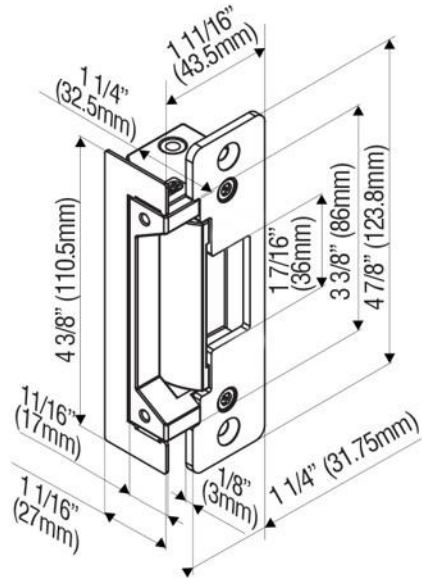


For 24 VDC optional



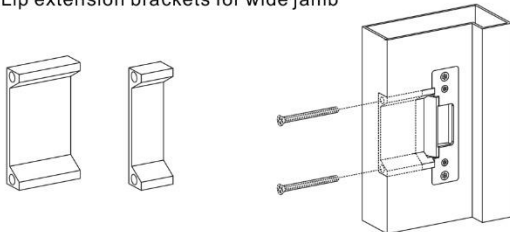
Stock Code	Description
AH111	ANSI Mortice Electric Release 12/24V DC Fail Locked/Unlocked, Short/Long Faceplate
AH111M	ANSI Mortice Electric Release 12V DC Fail Locked/Unlocked, Monitored, Short/Long Faceplate
AHLIP25	Extension Lip 25mm for AH111 and AH111M
AHLIP50	Extension Lip 50mm for AH111 and AH111M

AH111 Deedlock Reversible ANSI Mortise Electric Releases

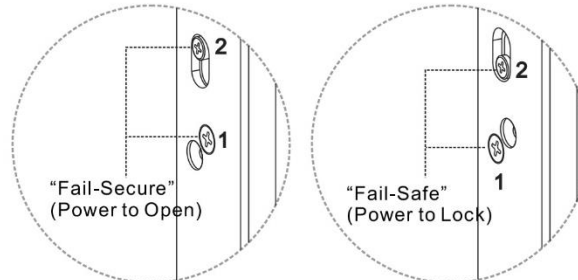


Technical Information	
Operating Voltage	12V DC, 24V DC,
Voltage Tolerance	+/- 15%
Current Draw	250mA/12V DC 150mA/24V DC
Operating Temperature	-10°C~+45°C
Humidity	0~95%
Optional Lips	AHLIP25, AHLIP50
Material	Stainless Steel Faceplate, Aluminium Alloy Case
Net weight	243g

Lip extension brackets for wide jamb



Field selectable by changing position of screws



For further information contact:

Securefast plc
6, The Cedars Business Centre
Avon Road, Cannock
Staffordshire
WS11 1QJ



Call > +44 (0) 1704 502 801

Email > sales@securefast.co.uk

Visit > www.securefast.co.uk