

## Dorcas ANSI Mortice Electric Release Range for Aluminium Doors

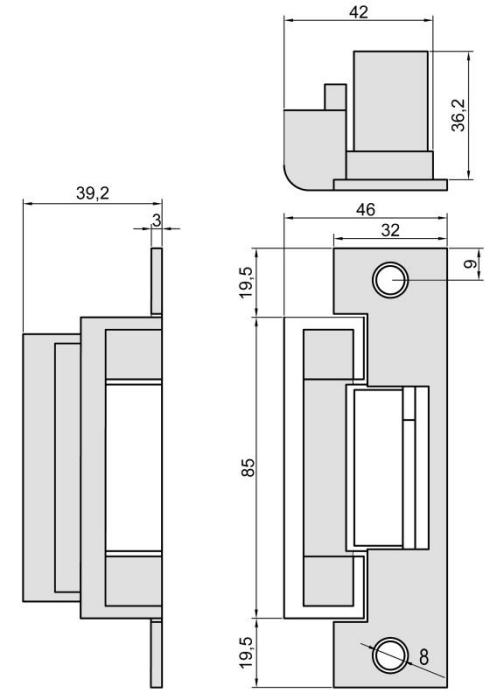


**A range of mortice ANSI Dorcas electric releases for use with 12V Access Control and Door Entry Systems on aluminium doors.**

The releases are suitable for low to medium traffic applications.

### Features & Benefits

- Fail locked & unlocked versions are available
- ANSI Mortice versions suitable for latches up to 15mm maximum throw
- Jaw strengths up to 1000lbf (205kgf)
- Operating voltage 12V AC or 12V DC
- Stainless steel/black finish
- For use on aluminium doors



For further information contact:

**Securefast plc**  
6, The Cedars Business Centre  
Avon Road, Cannock  
Staffordshire  
WS11 1QJ



**Call** > +44 (0) 1704 502 801

**Email** > sales@securefast.co.uk

**Visit** > www.securefast.co.uk

| Stock Code | Description                      | Voltage | Fail Locked/Unlocked | Suitable for Securefast Lock     |
|------------|----------------------------------|---------|----------------------|----------------------------------|
| ADCN47     | Mortice ANSI                     | 12V AC  | Fail Locked          | A5245101/2/3/4<br>A5245701/2/3/4 |
| ADCN47-412 | Mortice ANSI, Continuously Rated | 12V DC  | Fail Locked          | AAR4710/1/2/3/400                |
| ADCN47-512 | Mortice ANSI, Continuously Rated | 12V DC  | Fail Unlocked        | AAR4750/2/300                    |