

## Dorcas Rim Electric Releases Range for Timber Inward Opening Doors

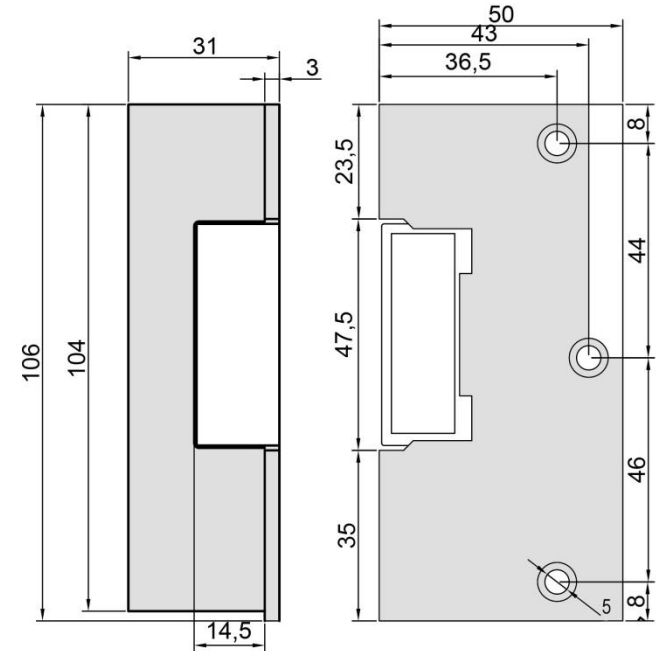


**A range of cost effective Dorcas electric releases for use with 12V Access Control and Door Entry Systems.**

Rim mounted electric releases are designed specifically for use with conventional rim night latches on inward opening doors. They are surface mounted in place of the keep supplied with the nightlatch.

### Features & Benefits

- The releases are suitable for low to medium traffic applications.
- Fail locked or unlocked versions are available
- Suitable for inward opening doors
- Suits latches with 12mm maximum throw
- Jaw strengths up to 880lbf (362kgf/256N)
- Operating voltage 12V AC or 12V DC
- Grey powder coated finish



Stock Code	Description	Voltage	Fail Locked/Unlocked	Suitable for Securefast lock
ADCN203G	Rim	12V AC	Fail Locked	Rim Night latch
ADCN203-412G	Rim, Continuously Rated	12V DC	Fail Locked	
ADCN203-512G	Rim, Continuously Rated	12V DC	Fail Unlocked	

For further information contact:

**Securefast plc**  
6, The Cedars Business Centre  
Avon Road, Cannock  
Staffordshire  
WS11 1QJ



**Call** > +44 (0) 1704 502 801

**Email** > sales@securefast.co.uk

**Visit** > www.securefast.co.uk