

ASL950MW Smartlock Wireless Door Control Unit



The SmartLock wireless controller operates standard 12V dc electronic locking device and provides a signal for automatic doors, car park barriers & lifts etc.

It can be used in conjunction with the Smartlock virtual networked systems (ASL951B) and wireless networked systems (ASL951BW) or a mixture of both.

The standard unit comprises of a 3A 12V power supply with battery backup and the controller PCB housed within a metal enclosure and it is supplied with a wall mounted IP rated card reader.

The readers have an elegant profile for either indoor or outdoor installations with unmatched durability in harsh conditions (temperature & moisture extremes)

The controller can control two doors which share authorities or 1 door with 'read in, read out' (An additional reader is required)

Programming of the unit is achieved using the Smartlock wireless dongle connected to a laptop running the Smartlock Application.

Features & Benefits

- Centralised card programming using easy to use Windows based software
- Real time card cancellation and logging
- Up to 10,000+ user cards per system
- Each card can be programmed with access to doors, groups and areas with time and date validity and shift control
- Hubs use either Ethernet or USB to communicate around the building with a wireless link to the locks
- Door controllers for electric locking can control 2 doors with the same authorities or read in/read out
- ISO printable or pre-printed cards, tokens ,etc.
- Cards can be used for multiple sites and multiple applications
- Can be set up remotely or on site
- Web browser version available
- Interfaces with leading brand PMS systems

Code	Description
ASL950M1W	Single Door Control Unit incl. 2A PSU & Reader
ASL950M2W	Two Door Control Unit incl. 2A PSU & Reader

Ideal for:-

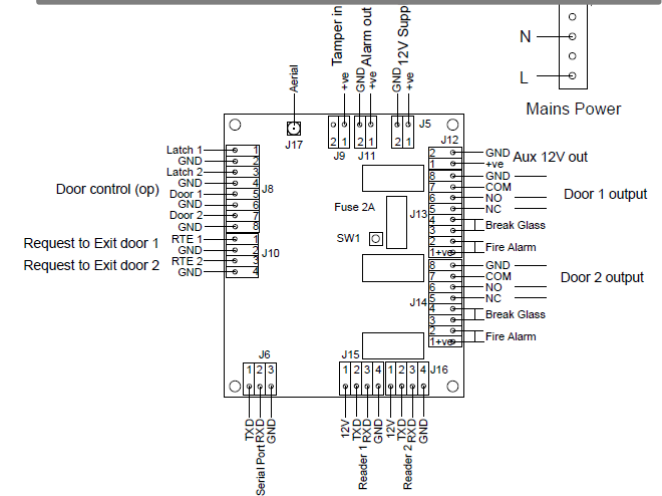
Medium to large systems such as hotels, universities, colleges and schools, offices, hospitals and residential accommodation.

ASL950MW Smartlock Wireless Door Control Unit

Features & Benefits	Wireless Door Control Unit
Single Door Controller Unit including 3 Amp PSU and reader	ASL950M1W
Two Door Controller Unit including 3 Amp PSU and reader	ASL950M2W
MIFARE™ plus and Desfire ready	●
Cards can be used for multiple sites and multiple applications	●
Networking	●
Instant card cancelling	●
Real-time logging	●
Management system including reader, wireless dongle and software	ASL957
Single Door Controller Unit including 3 Amp PSU and reader	ASL950M1W
Two Door Controller Unit including 3 Amp PSU and reader	ASL950M2W
Cards /100	SSL954
PMS interface	ASL955
Hub for up to 64 doors - Ethernet / USB	ASL95BASE
Hub station up to 64 doors - Wi-Fi	ASL95BASEW

Specification	
ASL950MW	
Dimensions (HxWxD)	280x340x90 (mm)
Frequency	433MHz
Power Requirements	230V 3A
Reader	
Dimensions (HxWxD)	110x43x24 (mm)
Plastic IK Rating	IK-10
Protection Class	IP67
Operating Temperature	-40°C - +55°C
Storage Temperature	-40°C - +55°C

Features & Benefits



For further information contact:

Securefast plc
 6, The Cedars Business Centre
 Avon Road, Cannock
 Staffordshire
 WS11 1QJ



Call > +44 (0) 1704 502 801

Email > sales@securefast.co.uk

Visit > www.securefast.co.uk