

APX19 Standalone Mifare Proximity Reader



The APX19 is a compact, waterproof stand-alone programmable Mifare access control system which can suit up to 1000 users.

The product is simple in design and operation and is highly reliable, with programming via the remote control handset or by simply using the add and delete card.

The reader offers a 2 amp lock relay and can control doors or gates with most types of electric locking from the Securefast range (additional relay needed if locking uses more than 2 Amps).

The unit can be powered from 9V to 24V DC and draws a current of 40mA.



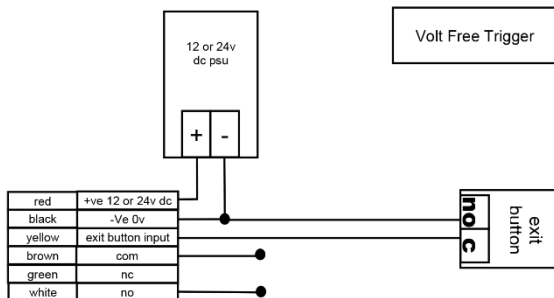
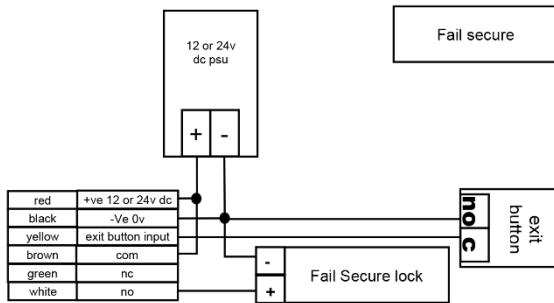
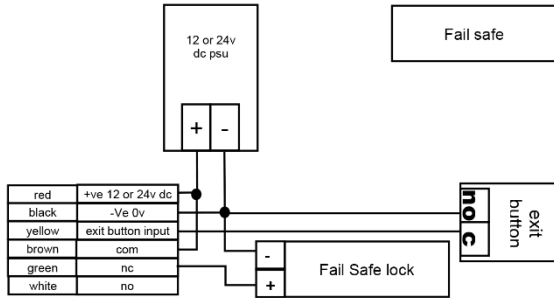
Features & Benefits

- Waterproof, conforms to IP66
- One relay, 1000 users, standalone
- Card type: 13.56MHz Mifare Card
- Working Temperature: -40°C ~ 60°C
- Pulse mode, toggle mode
- Built in LDR for anti tamper
- Card block enrolment
- Easy for programming by master cards and remote control
- Easy to install (6 wires only)

Stock Codes	
APX19	Standalone Mifare Reader
AMUI-F	Fobs
AMUI-C	Cards



APX19 Standalone Mifare Proximity Reader



Specifications	
Card User Capacity	1000
Operating Voltage	9~24V DC (< 40mA Idle Current)
Proximity Card Reader Radio Technology Read Range	Mifare 13.56MHz 3~6cm
Wiring Connections	Relay output, exit button
Relay Adjustable Relay Output Time Lock Output Load	One (NO, NC, Common) 0-99 Seconds (5 seconds default) 2 Amp Maximum
Environment Operating Temperature / Humidity	Meets IP66 -40 °C ~ 60 °C / 20% RH ~ 98% RH
Physical Colour Dimensions Unit Weight Shipping Weight	ABS Shell Black 10.3L x 4.8W x 2.0H (cm) 100g 150g

For further information contact:

Securefast plc
6, The Cedars Business Centre
Avon Road, Cannock
Staffordshire
WS11 1QJ



Call > +44 (0) 1704 502 801

Email > sales@securefast.co.uk

Visit > www.securefast.co.uk