

### ARD060 Magnetic Stripe Reader



***The ARD magnetic stripe reader provides high-performance and reliability for any application; whether high security access control, electronic point of sale, time and attendance or purely data acquisition.***

A wide variety of output formats are available to provide flexibility for most applications. The ARD060 magnetic stripe reader is manufactured from impact resistant UV stabilised acrylic. For Hardwearing and durability use in the harshest of conditions.

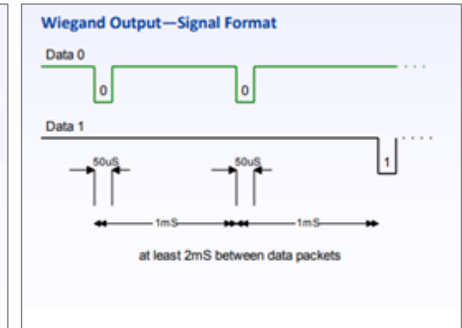
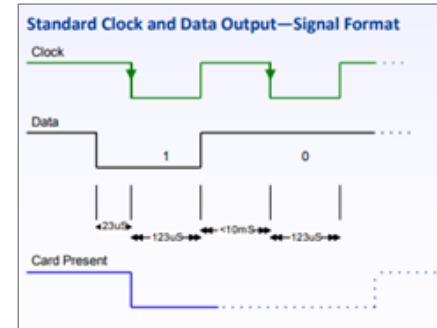
All the electronics are embedded in epoxy resin for weather-proof and vandal-resistant – making it an ideal choice for both indoor and outdoor use. The reader heads provide an extremely reliable reading capability with over 1 million head passes. The single tri-colour LED provides a visual indicator showing the current reader status, whilst the internal buzzer provides an audible indicator. Both indicators are utilised via external lines.

#### Features & Benefits

- Single tri-colour LED normally red, green and yellow activated via external line
- Internal buzzer with external control line
- Stainless steel fixing plate with internal/external secure fixing
- Reliable read capability with head life in excess of 1 million passes
- Available either as Track 1, Track 2 or Track 3 ISO
- 2.5m (8.2ft) 8 core screened cable
- Dimensions: H 112 x W 42 x D 36mm
- Vandal-resistant
- Card speed is 125 to 380cm per second
- Data range 325 to 12,250 bits per second
- All electronics are encapsulated in epoxy resin (except read head and buzzer aperture)
- Reads lo-co and hi-co magnetic-stripe cards
- Weatherproof –25°C to +65°C
- Clock & Data outputs

### ARD060 Magnetic Stripe Reader

Technical Information	
Cable Connections	Reader supplied with 2.5m - 8 core screened cable Red +VDC Supply Blue Card Present Green Clock (or Wiegand Data 0) Yellow Buzzer Control Line White Data (or Wiegand 1) Black 0VDC Signal Ground Violet not in use Orange Green/Yellow LED Control Line
Material	Black impact resistant UV-stabilised acrylic housing
Reader Supply Voltage	+5VDC to +18VDC - recommended +12VDC
Cable Distance / Gauge	Maximum of 100 metres - 24AWG (7/0.20)
LED and Buzzer Control Inputs	0 to +5VDC maximum.
Current Consumption	50mA at +5VDC and 20mA at +12VDC
Ordering Information	AXM-ABS 105-233-BK-y Where y signifies the output type.
Warranty Period	The equipment is guaranteed against defects in materials and workmanship for 2 years from date of shipment (see warranty policy for details)



The above diagrams represent active 'low' CMOS click, data and card present.

On the data line, the 'high' level indicates a data '0' bit and the 'low' level denotes a data '1' bit. Data must be accepted at the falling edge of the clock pulse.

The timings shown are for guidance purposes only and will in practice vary in accordance with the card speed.

For further information contact:

**Securefast plc**  
 6, The Cedars Business Centre  
 Avon Road, Cannock  
 Staffordshire  
 WS11 1QJ



**Call** > +44 (0) 1704 502 801

**Email** > sales@securefast.co.uk

**Visit** > www.securefast.co.uk