

ARDREX – Card Reader Expander



ARDREX
BOXED



ARDREX

The ARDREX has 1 x 'IN' and 1 x 'OUTPUT', and has a single reader channel providing magnetic Stripe (clock and data) or Wiegand/proximity (Data 0 and Data 1). Configuration is automatically detected from the incoming reader data stream.

The unit also includes a three second Bleep Timer triggered from ACU indicator (IND) output for use with readers without built in buzzer timers and the units status is indicated via three LED's on the circuit board (RDA, RDB and IND).

The ARDREX is a card reader expander that can be used with any of the IET Entra+, Tower, or Integra systems.

New or existing systems can be wired using a single card reader cable and locating the ARDREX at the door/card reader end thereby saving on cable and providing a neater 'swipe out' reader.

The reader can be mounted in a box (ARDREX BOXED) or installed separately.

Features & Benefits

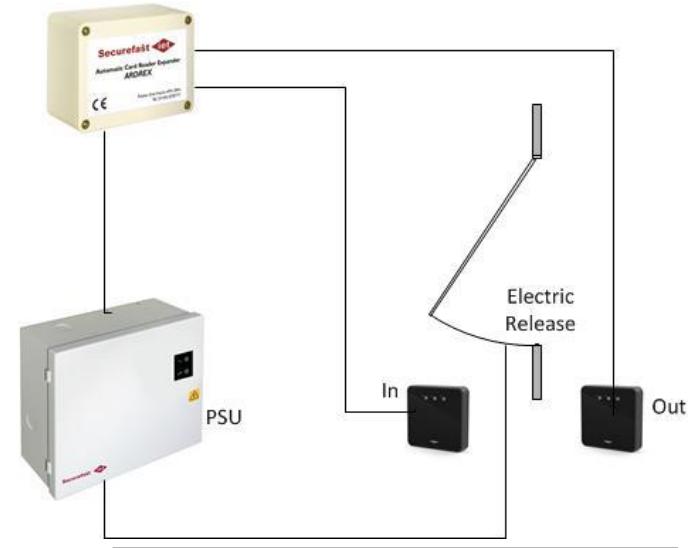
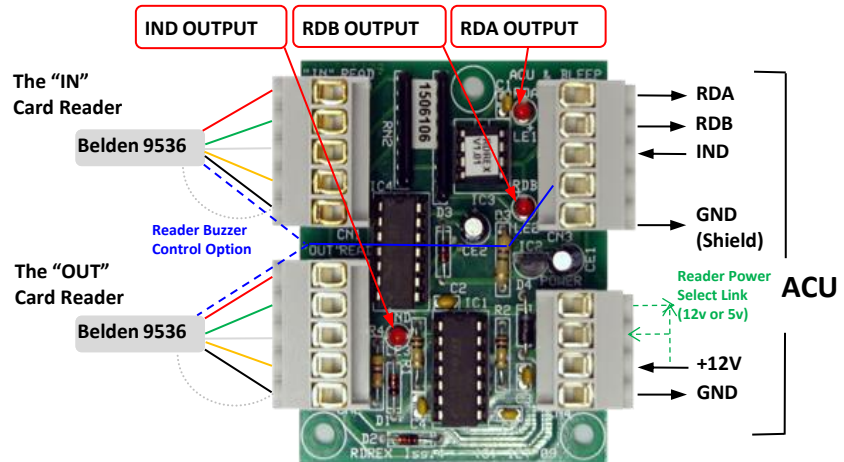
- Provides a dual card reader channel on a single reader cable
- Doubles the card readers on any control unit
- Can be used with Entra+, Tower, Integra or Access Control Systems
- Works with any card format
- 3 second buzzer timer for free access doors
- WIEGAND and MAG stripe data auto detection
- LED indicators for easy installation
- High quality removable barrier strip connectors are used throughout
- The 12V module is equipped with a 5V regulator, thereby allowing it to supply either 5 or 12V card readers from the single supply line

Product Code	
ARDREX	Reader expander to provide swipe in/swipe out on a; Entra+, Tower and Integra system. NB Functionality included within Ip-2 IET proximity reader.
ARDREX BOXED	Reader expander to provide swipe in/swipe out on a; Entra+, Tower and Integra system. NB Functionality included within Ip-2 IET proximity reader; complete in a box.

ARDREX – Card Reader Expander

Technical Information

Term	Description
ACU	Access Control Unit
RDA	Reader A (Data 0)
RDB	Reader B (Data 1)
IND	Indicator
GND	Ground



For further information contact:
 Securefast plc
 Unit 6 & 7
 The Cedars Business Centre
 Avon Road, Cannock
 Staffordshire
 WS11 1QJ



Call > +44 (0) 1704 502801

Email > sales@securefast.com

Visit > www.securefast.co.uk

Technical Data	
Dimensions - Box	(W) 77mm x (H) 110mm x (D) 41mm
Dimensions – Circuit Board	(W) 50mm x (H) 70mm x (D) 18mm
Power Requirements	Input: 10 – 16V at 15ma excluding reader power
	On board 5V card reader output @ 100ma total (both readers)