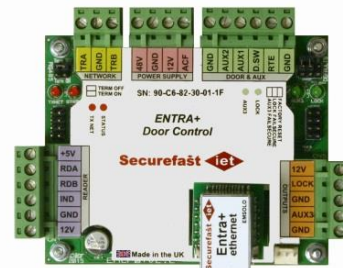


Entra+ Control Units



The Entra+ door controller supports all major reader types creating a total solution for your access control application. The controller has reader, RTE, door contact, auxiliary output and a 1.5A 12V lock output. The lock output may be changed on the board with a simple jumper from fail safe to fail secure.

To reduce on-site costs you are able to cable up to 10 controllers via a 48V DC bus, eliminating the requirement for a 230V fuse spur at each door. The controller converts the higher voltage down to 12V DC with a 1.5A output to each lock. All controllers have non-volatile memory.



Features & Benefits

- Up to 25,000 card holders per door
- Unlimited number of controllers per system
- Unlimited number of doors per system
- RS485 or Ethernet/LAN connection
- 1000 event log
- 252 trigger events
- Unlimited access levels up to 63 time zones

Entra+ Control Units

Connections

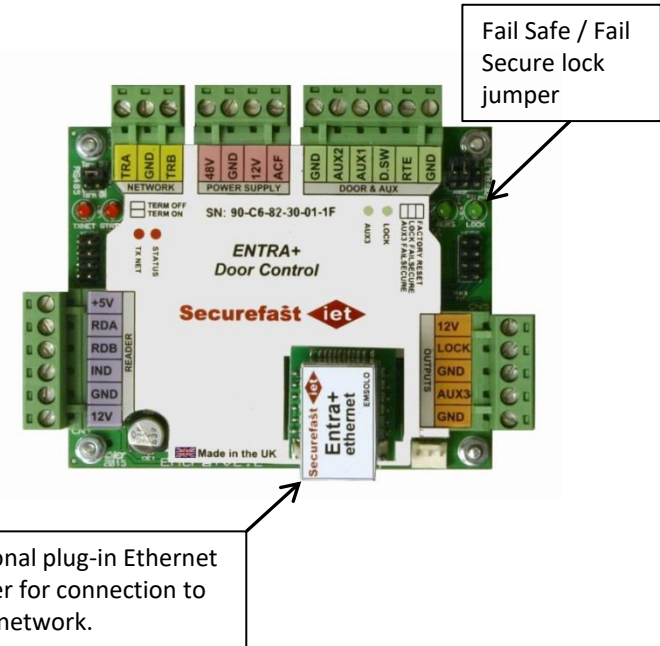
| Reader Connections | |
|--------------------|------------|
| +5V | +5v output |
| RDA | Reader A |
| RDB | Reader B |
| IND | Indicator |
| GND | Ground |
| 12V | 12v output |

| Network Connections | |
|---------------------|--------------------|
| TRA | Transmit Receive A |
| GND | Ground |
| TRB | Transmit Receive B |

| Power Supply Connections | |
|--------------------------|-----------------|
| 48V | 48v dc input |
| GND | Ground |
| 12V | 12v dc input |
| ACF | Ac voltage fail |

| Output Connections | |
|--------------------|--------------------|
| 12V | 12v dc output |
| LOCK | 12v dc lock output |
| GND | Ground |
| AUX3 | Auxiliary output |
| GND | Ground |

| Door & Aux Connections | |
|------------------------|-------------------|
| GND | Ground |
| AUX2 | Auxiliary input 2 |
| AUX1 | Auxiliary input 1 |
| D.SW | Door switch |
| RTE | Request to exit |
| GND | Ground |



| Code | Description | Amps |
|------------|--|-------|
| AEN2005 | Entra+ One door controller (Board Only) | |
| AEN2010 | Entra+ One door controller with 3 amp 12V dc PSU - (H) 275mm x (W) 330mm x (D) 80mm | 3 amp |
| AEN2020 | Entra+ Two door controller with 3 amp 12V dc PSU - (H) 275mm x (W) 330mm x (D) 80mm | 3 amp |
| AEN2025 | Entra+ Three door controller with 8 amp 12V dc PSU - (H)410mm x (W) 390mm x (D) 80mm | 8 amp |
| AEN2030 | Entra+ Four door controller with 8 amp 12V dc PSU - (H)410mm x (W) 390mm x (D) 80mm | 8 amp |
| AEN2050 | Entra+ Ethernet/LAN adaptor for use between ACU and PC when using LAN/WAN infrastructure | |
| AEN-DONGLE | Dongle to interface RS485 network with software and for attaching take on reader | |

For further information contact:

Securefast plc
 6, The Cedars Business Centre
 Avon Road, Cannock
 Staffordshire
 WS11 1QJ



Call > +44 (0) 1704 502 801

Email > sales@securefast.co.uk

Visit > www.securefast.co.uk