

Dorma Low Energy Automatic Door Operator



'Push' Application



'Pull' Application

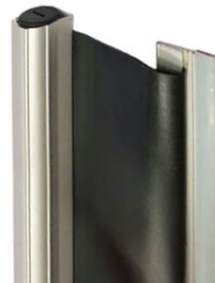
Dorma's compact electro-mechanical low energy door operator, can be specified and installed to satisfy the performance and safety requirements of BS EN 16005: 2013 Safety at Powered Doors for Pedestrian Use.

The unit is ideal for providing low energy automated access for doors on new build projects and it can also be easily retro-fitted to existing doors.

Features & Benefits

- Elegant visual appearance with a operator height of only 70mm
- Low noise levels through multi-stage gearing
- Efficient closing due to an electronic latching action, enabling the motor to spring to overcome door seals, room to room pressure differentials and wind loads
- Available for either push or pull applications
- Maximum door width 1100mm
- Maximum door weight 100kg
- Anodised Aluminium finish as standard
- Certified 2 hour UK Fire Tested
- Available to suit a 250kg door

Finger Guard & Push Button



TFP200



AEB15

Suitable for 60 minute fire rated doors for both push and pull applications



Should you wish this unit to comply with EN 16005 (Safety at Powered Doors for Pedestrian Use), we would advise that the installation is carried out by a trained engineer.

Dorma Low Energy Automatic Door Operator

Dorma Low Energy Automatic Door Operator & Accessories

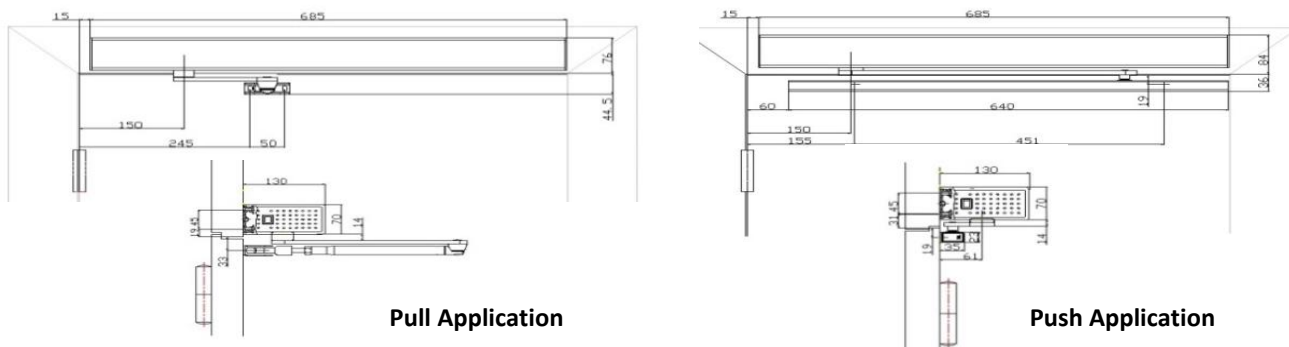
Please Note: All kits are available with either a Push Or Pull Application Door Operator

ADM-29222301	Dorma ED 100 LE Operator
ADM-29241001	Dorma ED 100 LE Basic Cover (Silver)
ADM-29271001	Dorma ED 100 LE Standard Arm (Silver) 0-225mm
ADM-29275001	Dorma ED 100 LE Slide Channel Set (Silver) +/- 30mm
ADM-KIT1	AEB15 Push Buttons Mounted on a Black ABS Surface Back Box (x2) & Finger Guard
ADM-KIT2	APX16 Keypad (Proximity Reader Available), AB15 Push Button Mounted on a Black ABS Surface Back Box & Finger Guard
ADM-KIT3	TRFKIT-2 Wireless, Heavy Duty (SSS) Push Button, Engraved 'Push to Open' (x2), Mounted on a Black ABS Surface Back Box (TSURF4SB) which Holds the 9V Battery and the Transmitter. Within the Kit is a Single Channel Receiver (TR5101) and Finger Guard

Technical Data

Maximum Door Weight	100kg
Maximum Door Width	1100mm
Minimum Door Width	700mm
Power Requirements	230V 50Hz
Power for Peripheral Devices	24V DC 1500mA max
IP Rating	IP22
Operation	Continuously Rated
Drive Unit Weight	12kg
Certificate	2 Hour UK Fire Tested

Technical Drawings



Pull Application

Push Application

For further information contact:

Securefast plc
6, The Cedars Business Centre
Avon Road, Cannock
Staffordshire
WS11 1QJ



Call > +44 (0) 1704 502 801

Email > sales@securefast.co.uk

Visit > www.securefast.co.uk