

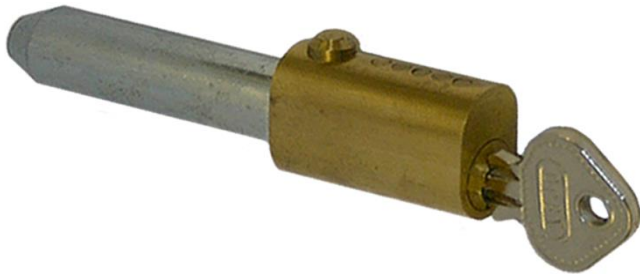
Securefast Pinson Shutter Locks



Securefast Shutter Locks are manufactured from brass and steel with 5-pin tumbler.

The Shutter Locks are available keyed to differ or keyed alike with nickel silver keys. Forged weldable steel and conical steel housings for aluminium door frames are designed to add strength and security to the lock.

The Shutter Locks are also weather resistant and can also be used with external doors.



Features & Benefits

Housings:

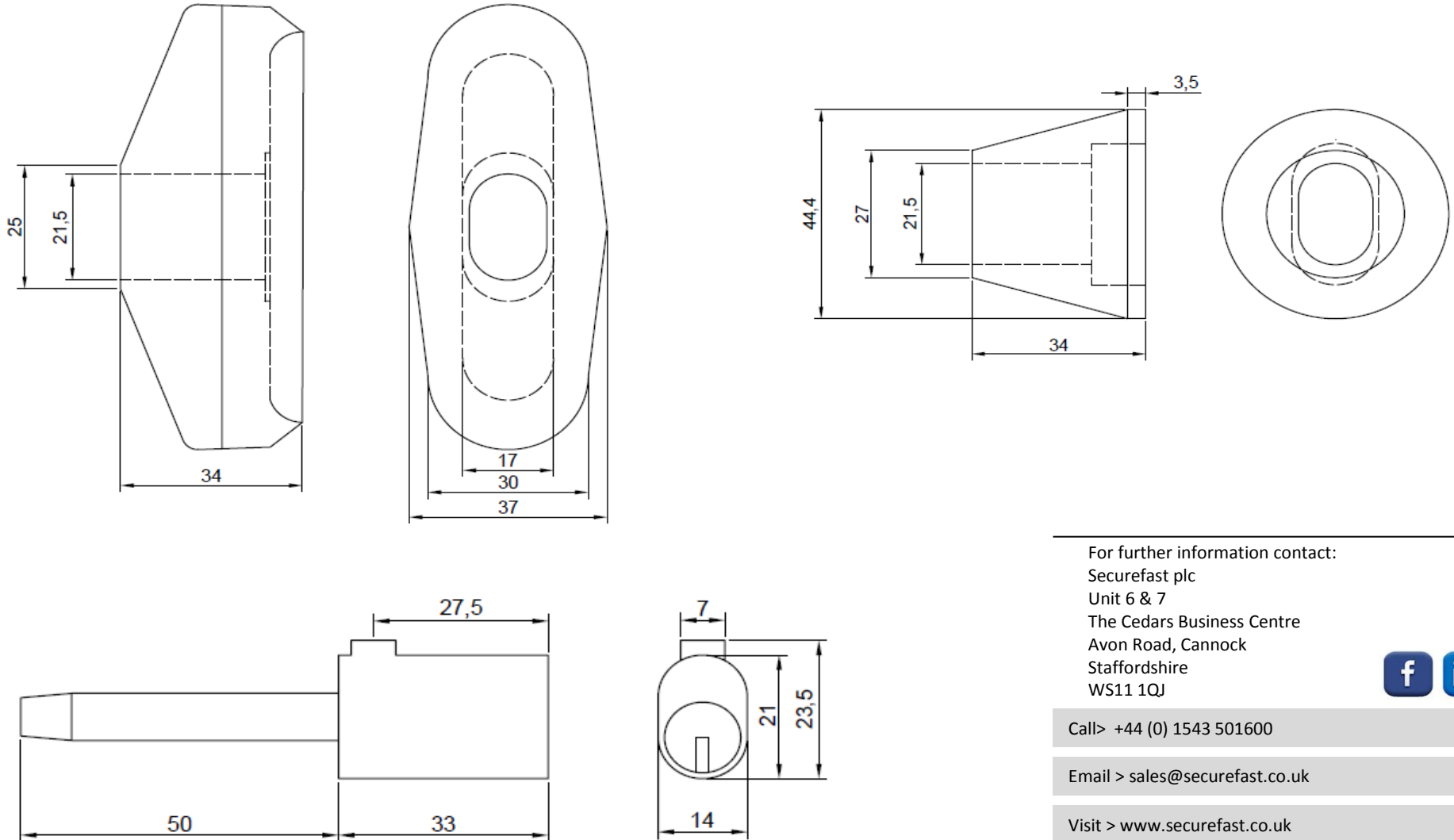
- Manufactured from drop forged steel for easy welding.
- Anti vandal shape
- Precision milled lock aperture
- Aluminium door conical shaped housing manufactured from bright steel.

Lock:

- Main body manufactured in brass
- 5 pin, pin tumbler action
- Lock available to differ or keyed alike
- ½ steel bar goes right through the shutter guide

Product Code	Description
SSL201	Standard Shutter Lock
SSL010	Conical Housing
SSL020	Forged Housing
SSL201K	Shutter Lock Key Blank

Securefast Pinson Shutter Locks



For further information contact:

Securefast plc
Unit 6 & 7
The Cedars Business Centre
Avon Road, Cannock
Staffordshire
WS11 1QJ



Call > +44 (0) 1543 501600

Email > sales@securefast.co.uk

Visit > www.securefast.co.uk