

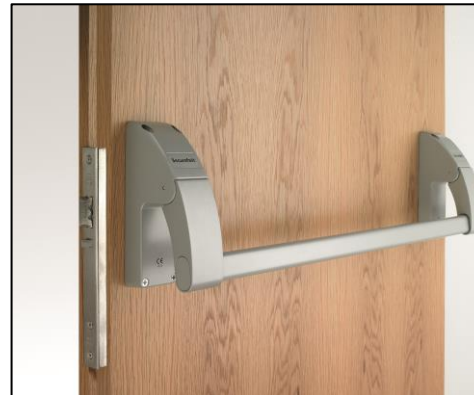
SED995 Push Bar Panic Exit Hardware



Patent Application
No. GB2463991



When used on a rebated double door a 13mm rebate kit SEU706 must be specified. - This will not be fire rated.



Features & Benefits

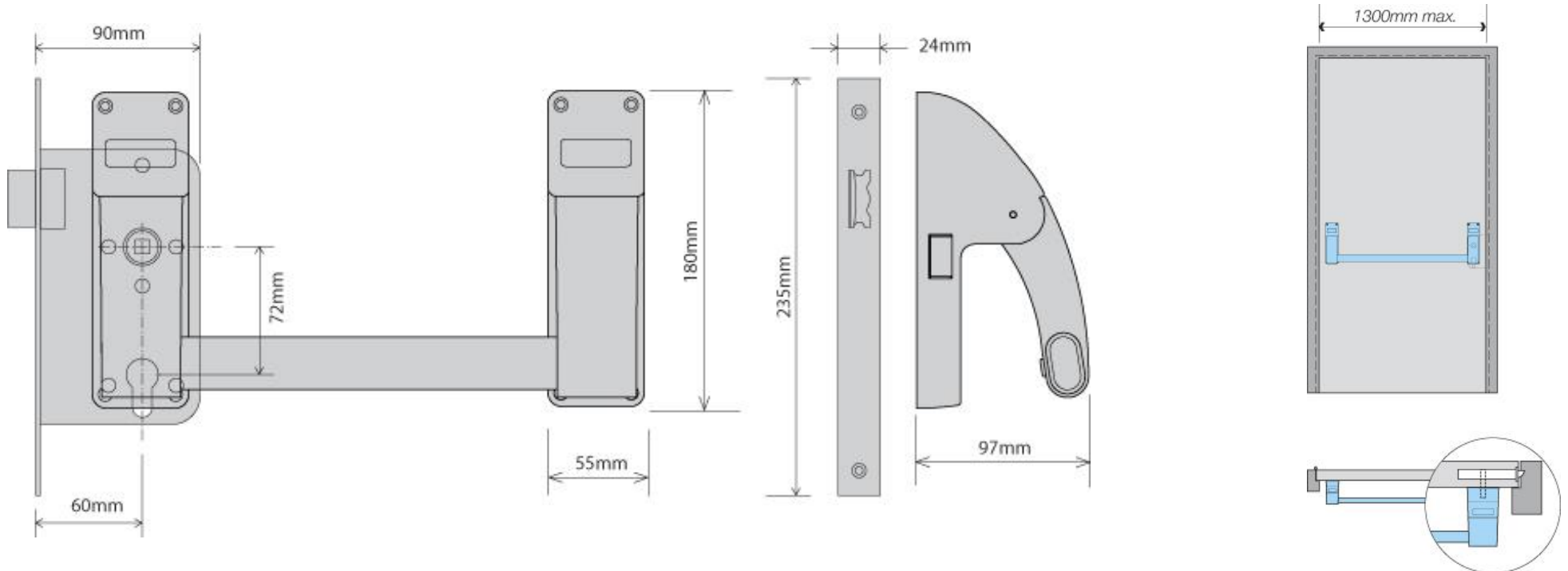
- Certified to EN1125:2008
- Tested for use on fire doors to EN 1634-1
- Lockcase meets the requirements of EN 12209
- Can be cut down on site for doors up to 1300mm wide
- Range of accessories available including single cylinder, rebate kit, and micro-switch
- Powder coated silver finish as standard
- Night latch has reversible latch bolt, 72mm centres, 60mm backset and a single piece stainless steel square forend
- Optional micro switch can be concealed in the slave unit to integrate with access control system
- Supplied with fixings for timber doors
- Handing fully reversible or can be ordered handed.

Certification

EN1125:2008
Classification Code 3-7-6-B-1-4-2-2-A-A

EN1634-1 Fire Rated for 30 & 60 min on
Timber Doors
Warrington Fire Report No. 187478

SED995 Push Bar Panic Exit Hardware



Product Code	Description
SED995-SE-72-LH	Panic Actuator & Nightlatch - Left Handed (fully reversible)
SED995-SE-72-RH	Panic Actuator & Nightlatch - Right Handed (fully reversible)
SED995-SE-72-AT-LH	Panic Actuator & Nightlatch with Anti-thrust - Left Handed (fully reversible)
SED995-SE-72-AT-RH	Panic Actuator & Nightlatch with Anti-thrust- Right Handed (fully reversible)

For further information contact:

Securefast plc
 6, The Cedars Business Centre
 Avon Road, Cannock
 Staffordshire
 WS11 1QJ



Call > +44 (0) 1704 502 801

Email > sales@securefast.co.uk

Visit > www.securefast.co.uk