

400 Series Touch Bar



SED403-SC

The 400 series touch bar panic exit range comprises of a full width touch bar and modular components providing single and three point latches with horizontal Pullman latches and a 2 point bolts with vertical Pullman latches.

Supplied with dogging as standard but can be provided without if required.

Standard size touch bar is 840mm to suit doors up to 860mm(W) x 2585mm(H). For larger doors extra wide touch bars of 1170mm and 1300mm are available and long vertical rods can be provided for doors up to 3150mm high to special order.

in a standard Silver or Satin Chrome finish making the range ideal for almost any final exit door.

The strong Zinc Alloy Electroplated case also offers a reasonable amount of protection against vandalism.

Certification

- Tested and certified to EN1125 (Classification Code 3-7-7-B-1-4-2-2-B-A)
- Fire tested to EN1634-1

Features & Benefits – Touch Bar

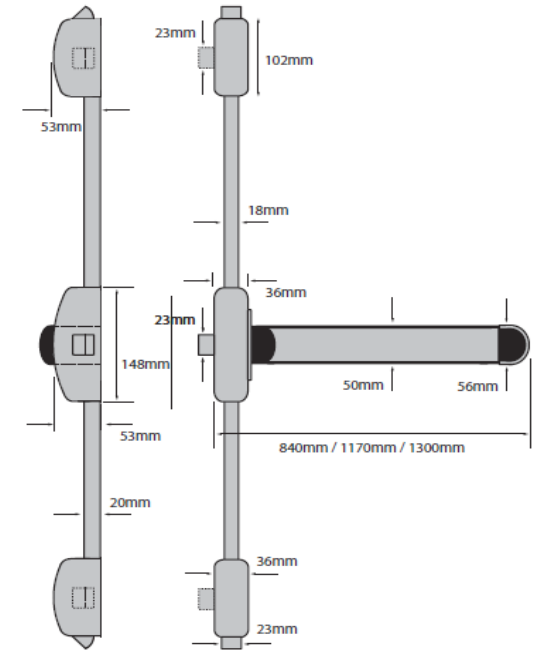
- Available with a micro-switch contained in the operating mechanism
- Hold-back facility as standard
- Standard size touch bar is 840mm which is suitable for doors up to 860mm wide. Additional wide units 1170mm and 1300mm are available on request
- Strikers are available for PVC-U, Aluminium and Steel Doors
- Manual Outside Access Device fitted with a 40mm Euro Single Cylinder can be used for access from the outside. (Cylinder supplied separately)



SED400-SE

400 Series Touch Bar

Product Code	Description	Finish
SED401-SE	Single Latch Touch Bar	Silver
SED402-SE	Two Point Touch Bar	Silver
SED403-SE	Three Point Touch Bar	Silver
SED401-SC	Single Latch Touch Bar	Satin Chrome
SED402-SC	Two Point Touch Bar	Satin Chrome
SED403-SC	Three Point Touch Bar	Satin Chrome
SED401-MS-SE	Single Latch Touch Bar with Micro-switch	Silver
SED402-MS-SE	Two Point Touch Bar with Micro-switch	Silver
SED403-MS-SE	Three Point Touch Bar with Micro-switch	Silver
SED401-MS-SC	Single Latch Touch Bar with Micro-switch	Satin Chrome
SED402-MS-SC	Two Point Touch Bar with Micro-switch	Satin Chrome
SED403-MS-SC	Three Point Touch Bar with Micro-switch	Satin Chrome
SED400-SE	Outside access device with lever no cylinder	Silver
SED400-SC	Outside access device with lever no cylinder	Satin Chrome



For further information contact:

Securefast plc
 Unit 6 & 7
 The Cedars Business Centre
 Avon Road, Cannock
 Staffordshire
 WS11 1QJ



Call > +44 (0) 1543 501 600

Email > sales@securefast.co.uk

Visit > www.securefast.co.uk