

AML-350M-PL-12 Electric Lock with Preload



Securefast mortice double action electric lock, a high performance lock for use with swing doors.

The lock has a robust stainless steel construction and is designed with a high preload release capability . It opens electronically with up to 500lbs of preload, this allows smooth operation under varying loads on the doors. This overcomes issues such as air pressure, warped doors or stripped seals due to bad weather.

The lock offers lock monitoring and may be fitted to narrow style doors, it also has a holding force of 1500lbs and has been successfully tested on a BS EN 1634-1:2014 fire test.

For fire rating 1mm Interdens intumescent is encased around the body, behind the forend, and fitted behind the keep.

Features & Benefits

- 1500lbs with 500lbs Preload Holding Force
- Brushed stainless steel finish
- For use with double swing doors
- Can be used with narrow frames
- Fire tested to BS EN 1634-1:2014 for 30 & 60 minute timber doors
- 500lbs preload
- Lock monitoring
- Field reversible
- Mounted horizontally or vertically
- 12V DC
- Door status monitoring

Certification

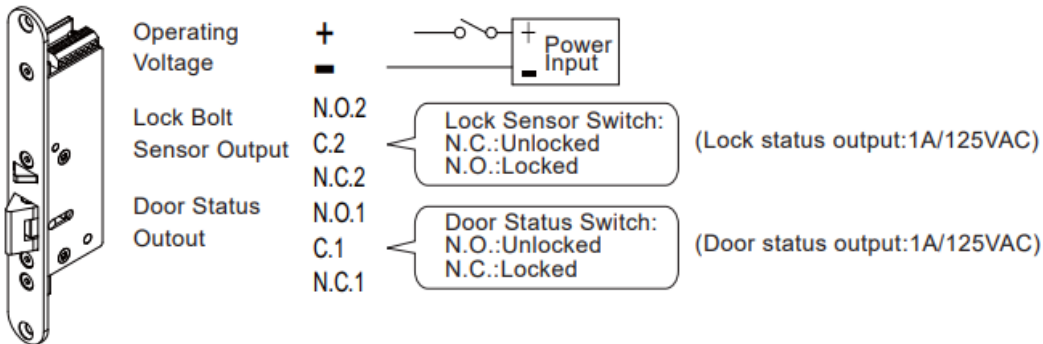
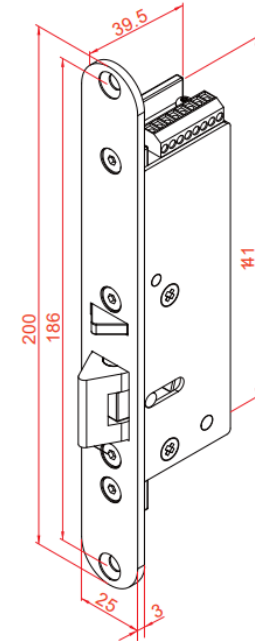
Fire Tested: - TRADA Report Number
BMT/FEP/F14080 ARI
Dated 19th May 2014
BS EN 1634-1:2014
BS EN 1363-1:2012

RoHS Compliant

CE Marked

AML-350M-PL-12 Electric Lock with Preload

Specification	
Operating Voltage	12V DC
Voltage Tolerance	±10%
Current Draw	280mA/12V DC (at Temperature 20°C)
Fail Safe/Secure	Reversible
Operating Temperature	10~45°C
Humidity	0~95% Non Condensing
Lock Bolt Sensor Output	SPDT Rated 3A/125V AC
Solenoid Testing	Tested to 250,000 Cycles
Locking Mode	Fail Safe
Backset	30mm
Net Weight	673g



For further information contact:

Securefast plc
 6, The Cedars Business Centre
 Avon Road, Cannock
 Staffordshire
 WS11 1QJ



Call > +44 (0) 1704 502 801

Email > sales@securefast.co.uk

Visit > www.securefast.co.uk