

AML-300-SW Electric Lock



Securefast mortice double/single action electric lock, a high performance lock for use with swing doors.

The AML-300-SW has the option of a key override (cylinder not supplied) with the bolt deadlocking automatically when the door is closed.

The lock has a robust stainless steel construction and offers smooth operation for both single and double action doors.

The lock offers lock monitoring and may be fitted to narrow style doors, it also has a holding force of 2000lbs.

Features & Benefits

- 2000lbs Holding Force
- Optional key/thumbturn override (Cylinder not supplied)
- Brushed stainless steel finish
- For use with double/single action doors
- Can be used with narrow frames
- Optional cylinders & key accessories are available
- Lock monitoring
- Reversible fail safe or fail secure
- Mounted vertically

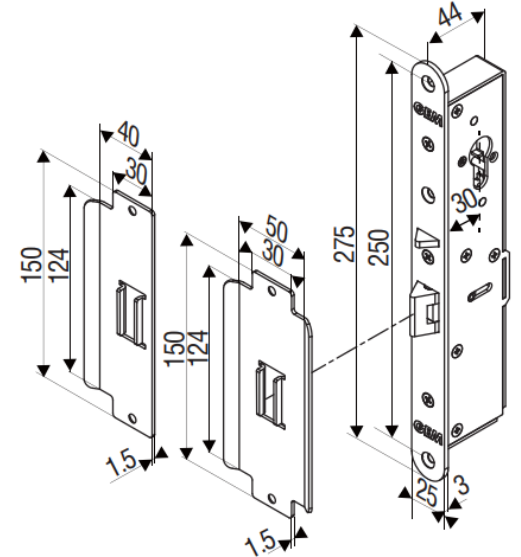
Certification

RoHS Compliant

CE Marked

AML-300-SW Electric Lock

Technical Specifications	
Operating Voltage	12~24V DC/AC (AC Fail Secure Only)
Voltage Tolerance	±10%
Current Draw	210mA/12V DC; 150mA/24V DC
Fail Safe/Secure	Reversible
Operating Temperature	10~45°C
Humidity	0~95% Non condensing
Lock Bolt Sensor Output	SPDT Rated 3A/125V AC
Solenoid Testing	Tested 1,000,000 Cycles
Backset	30mm
Net Weight	815g
Accessory	Single or Double Cylinder



For further information contact:

Securefast plc
 6, The Cedars Business Centre
 Avon Road, Cannock
 Staffordshire
 WS11 1QJ



Call > +44 (0) 1704 502 801

Email > sales@securefast.co.uk

Visit > www.securefast.co.uk