

SECUREFAST^{PLC}

Accessible Locking Solutions

securefast.co.uk

SPECIFICATION MANUAL



- SECUREFAST
- DEEDLOCK
- PINSON
- TATE
- COLSON

What is Accessible Locking?

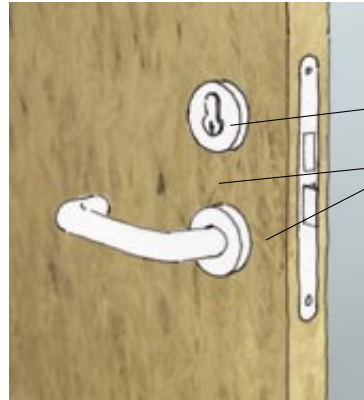
Accessible locking concentrates on three main areas, providing unhindered access to the cylinder keyway and cylinder thumbturn, eliminating the need to form a grip and the need to rotate the wrist and providing leverage to significantly reduce the force that needs to be applied.

With these objectives in mind, the illustrations below show examples of traditional solutions and how they differ from Securefast Accessible Solutions.

Traditional Hardware

UK style lockcases with the cylinder below the lever handle virtually hides the cylinder keyway from the line of sight and makes it awkward to enter and rotate the key.

The close proximity of the door frame and the lever hampers access.

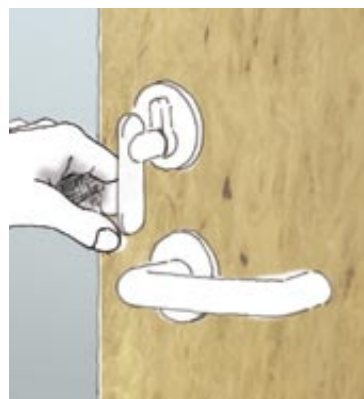


Accessible Solution

Access to the keyway is considerably improved

- Clearly visible - cylinder above lever handle
- Unhindered access - 40%+ increase to lock centres and 30%+ increase to average backset

The design of traditional hardware makes operation virtually impossible for people with limited grip and hand flexibility.

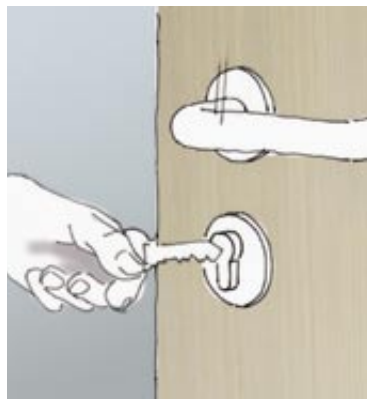


Large thumbturn facilitates easier operation

- No need to grip
- No need to rotate the wrist
- Improved leverage and reduces force needed by at least 70%

Even with larger European lockcases, access to the keyway and thumbturn remains hampered by the lever handle. The close proximity of the door frame and the lever remains a problem.

Keys are difficult to handle.



Special key bow improves handling and

- Improved leverage and reduces force needed by 60%*
- Increased surface area of 280%*

* when compared with a typical key bow of 24mm

Securefast Accessible features are designed to meet the needs of BS 8300:2001 and contribute to satisfying the requirements of the Disability Discrimination Act (DDA):1995

Definitions:

Centres - the distance between the lever handle and the cylinder keyway

Backset - the distance from the edge of the door to the centreline of the lock follower and keyway

Lock follower - the rotating hub within the lock which is operated by the lever handle

Disability Discrimination Act (DDA):1995



This Act introduced measures aimed at ending discrimination against those with special needs. The act is split into 3 sections;

- Part I Deals with the definition of disability
- Part II Covers duties to avoid discrimination in employment
- Part III Is concerned with the access to goods and services and is divided into three separate areas:
 - Dec 1996 - Treating a disabled person less favourably because they are disabled is unlawful
 - Oct 1999 - Service providers have had to consider making reasonable adjustments to the way they deliver their services so that those with a disability can use them
 - Oct 2004 - Service providers have to consider making permanent physical adjustments to their premises

Further information on the act is available from www.cae.org.uk



BS8300:2001 Design of buildings and their approaches to meet the needs of disabled people - code of practice

This guide provides further assistance in the specification of hardware for those with special needs.

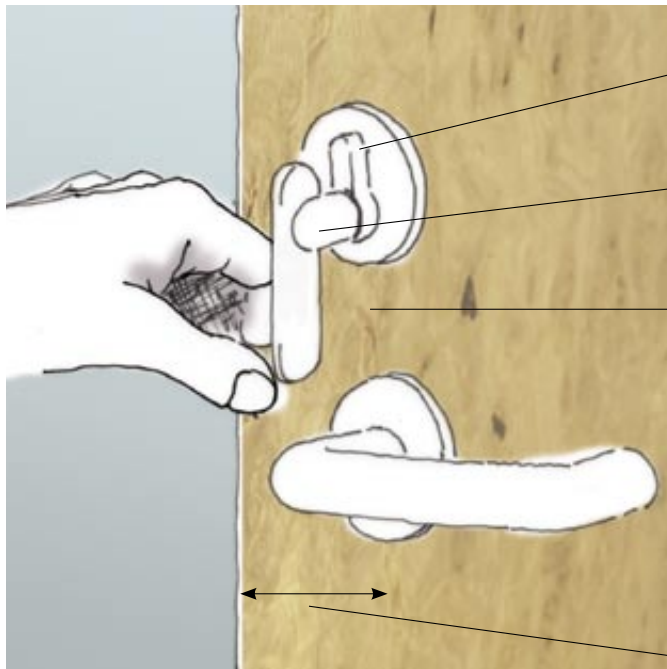
Extracts that are particularly relevant when selecting locking hardware are:

- A** • "To ensure that people with impaired vision and/or dexterity have unobstructed access to the keyway, the cylinder should either be above the lever handle or the minimum distance between the handle and the keyway of the locking mechanism should be 72mm."
- B** • "Wherever possible, door opening furniture with lever action should be used as door furniture with a spherical, circular or similar design is difficult to use by people with, for instance, arthritis or a weak grip."
- C** • "Consideration should be given to the provision of a larger keybow on lever and cylinder keys to give users greater control. Alternatively, a hand-grippable keyfob can be added to a standard keybow, to aid manipulation of the key."
- D** • "It is recommended that the distance between the edge of the door to the centreline of the lock follower and/or keyway (commonly known as the lock backset) should be a minimum of 54mm."

Further information is available from www.bsonline.bsi-global.com

Securefast Accessible Solutions are designed to meet the needs of BS8300:2001 and contribute to satisfying the requirements of the Disability Discrimination Act (DDA).

The Solution



Cylinder above the lever handle provides unobstructed view and access to the cylinder keyway

A

Accessible turn for cylinder available, no finger grip or wrist rotation necessary

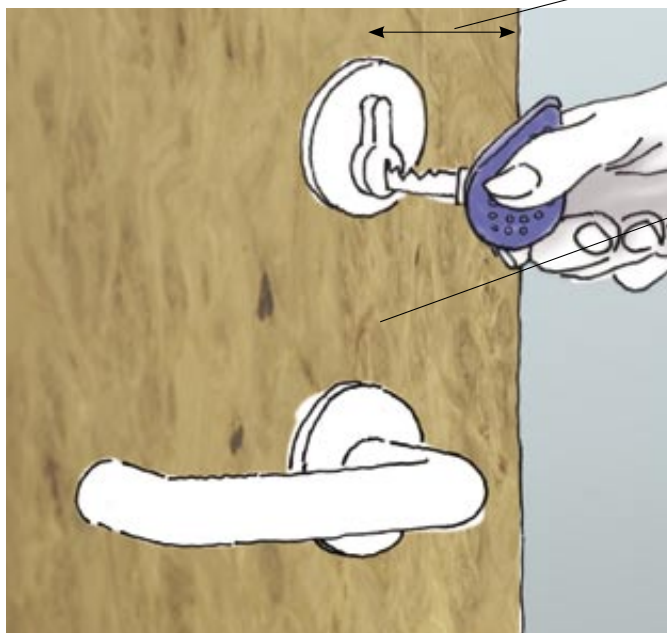
B

Large 104mm centres providing a large clearance between the lever handle and the cylinder keyway.

A

The large backset of up to 70mm increases the space in which to 'work'.

D



Accessible key bow option to assist key manipulation

C

Comprehensive Options

- Multiple lock styles
- 50mm or 70mm backset options
- Square or radiused faceplate and strike options
- Complementary bathroom lock
- Stainless steel or brass options
- Accepts 8mm lever handle spindle
- Durable springing suitable for unsprung lever furniture only
- Standard DIN measurement bolt through fixings for roses at 38mm centres. Fixings are diagonal rather than horizontal and therefore are suitable for un-sprung furniture only

10 YEAR WARRANTY

A limited liability warranty of ten years when Securefast Accessible hardware is installed as a complete package incorporating a lockcase and cylinder (minimum requirement). Further detail available on request.

EN 12209:2003 Test Results

- The highest possible grade for security
- The highest possible grade for corrosion
- The highest possible grade for durability

EN 1634-1:2000 Test Results

- Successfully fire tested to 1 hour (timber doorset)
- Successfully fire tested to 4 hours (steel doorset)

CE Marking

- Endorsed by Part M of The Building Regulations
- Appropriate models fully comply (see page 9 for further details)

Patents

European and International Patents apply



Accessible Turn (for use with Securefast Plus and Premier cylinders)

reference	product description	finish
SA NT SS	Accessible turn fitted to Securefast Plus or Premier cylinders, full length (see selection chart)	stainless steel
SA NT PB	Accessible turn fitted to Securefast Plus or Premier cylinders, full length (see selection chart)	polished brass
SA NT MINI SS	Accessible turn fitted to Securefast Plus or Premier cylinders, reduced length (see selection chart)	stainless steel
SA NT MINI PB	Accessible turn fitted to Securefast Plus or Premier cylinders, reduced length (see selection chart)	polished brass



Technical Alert

For the best solution specify the Accessible full length turn with a 70mm backset lock case. Mini turns should only be used for outward opening doors with a 25mm frame stop (assuming a 70mm lock case has been specified).

Door and frame configurations	Accessible Turn Standard	Accessible Turn Mini
Inward opening door	min. backset 70mm	min. backset 50mm
Outward opening door 12.5 - 15mm frame stop	min. backset 70mm	min. backset 70mm
Outward opening door 25mm frame stop	not suitable	min. backset 70mm



Accessible bathroom turn & indicator

reference	product description	finish
SA BT SS	Accessible bathroom turn & indicator set, full length (see selection chart)	stainless steel
SA BT EB	Accessible bathroom turn & indicator set, full length (see selection chart)	electro brass
SA BT MINI SS	Accessible bathroom turn & indicator set, reduced length (see selection chart)	stainless steel
SA BT MINI EB	Accessible bathroom turn & indicator set, reduced length (see selection chart)	electro brass



Technical Alert

The Securefast Accessible bathroom turn & indicator set is designed specifically for use with Securefast Accessible lock cases and offers surface fixing only. As the bolt through fixing positions are non standard, alternative bathroom turn & indicator sets may not be compatible or may be required to be surface fixed only.



Key bows

reference	product description	finish
SA BOW R	Accessible key bow fitted to Securefast Plus or Premier keys	red
SA BOW B	Accessible key bow fitted to Securefast Plus or Premier keys	blue

The benefits of leverage	
Securefast Accessible turn	Typical Force Reduction
Standard accessible turn	70%
Mini accessible turn	50%
Accessible key bow	60%

The force reduction quoted above are an average, when compared with typical non-accessible products.

Product selector - lockcases

Lockcases



For square forend style lock cases replace 'R' with 'SQ' in the product reference
 For electro brass finish for the faceplate and strikeplate replace 'SS' with 'EB' in the product reference

Specification Alert

Whilst square ended forends and strikeplates are available, they are 'special' and carry a price premium.

reference	product description	backset	forend style	finish
SA 222 50 SS R /3	Mortice sashlock - Grade 3 Security EN 12209:2003	50mm	radiused	stainless steel
SA 222 70 SS R /3	Mortice sashlock - Grade 3 Security EN 12209:2003	70mm	radiused	stainless steel
SA 222 50 SS R /7	Mortice sashlock - Grade 7 Security EN 12209:2003	50mm	radiused	stainless steel
SA 222 70 SS R /7	Mortice sashlock - Grade 7 Security EN 12209:2003	70mm	radiused	stainless steel
SA 212 50 SS R /3	Mortice deadlock - Grade 3 Security EN 12209:2003	50mm	radiused	stainless steel
SA 212 70 SS R /3	Mortice deadlock - Grade 3 Security EN 12209:2003	70mm	radiused	stainless steel
SA 212 50 SS R /7	Mortice deadlock - Grade 7 Security EN 12209:2003	50mm	radiused	stainless steel
SA 212 70 SS R /7	Mortice deadlock - Grade 7 Security EN 12209:2003	70mm	radiused	stainless steel
SA 303 50 SS R	Mortice latch - EN 12209:2003	50mm	radiused	stainless steel
SA 303 70 SS R	Mortice latch - EN 12209:2003	70mm	radiused	stainless steel
SA 393 50 SS R	Mortice emergency nightlatch	50mm	radiused	stainless steel
SA 393 70 SS R	Mortice emergency nightlatch	70mm	radiused	stainless steel
SA 353 50 SS R	Mortice double nightlatch - c/w holdback snib	50mm	radiused	stainless steel
SA 353 70 SS R	Mortice double nightlatch - c/w holdback snib	70mm	radiused	stainless steel
SA 372 50 SS R	Mortice double nightlatch - without holdback	50mm	radiused	stainless steel
SA 372 70 SS R	Mortice double nightlatch - without holdback	70mm	radiused	stainless steel
SA 323 50 SS R	Mortice deadlocking nightlatch - c/w holdback snib	50mm	radiused	stainless steel
SA 323 70 SS R	Mortice deadlocking nightlatch - c/w holdback snib	70mm	radiused	stainless steel
SA 383 50 SS R	Mortice deadlocking nightlatch - without holdback	50mm	radiused	stainless steel
SA 383 70 SS R	Mortice deadlocking nightlatch - without holdback	70mm	radiused	stainless steel
SA 400 50 SS R	Mortice bathroom lock	50mm	radiused	stainless steel
SA 400 70 SS R	Mortice bathroom lock	70mm	radiused	stainless steel



SHA1200 lever set mounted on sprung roses



Technical Alert

For the best Accessible Solution specify 70mm backset lockcases.

The position of the through fixings for the lever handle rose makes the lock compatible only with unsprung lever furniture.

Note: Securefast sprung lever handles SHA1200 are supplied with fixing positions which are suitable for use with Accessible lockcases.

Standard Cylinder

AC Cylinder



Technical Alert

As the cylinder will be fitted in the reverse orientation, as shown above, it is recommended that you specify 'AC' when ordering complementary cylinders. This will ensure that the pin plugs are closed and therefore not visible thus improving aesthetics. Furthermore, when 'AC' is specified it ensures thumbturns are fitted in the correct orientation so as to conceal the grub screw fixing.

Accessories

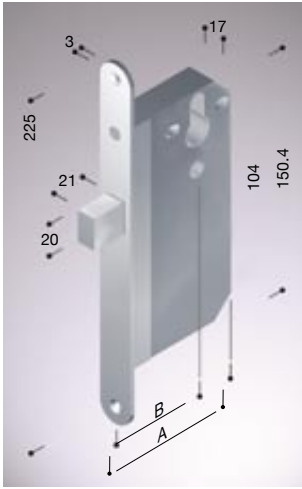
Specification Alert
Security strike plates, extended strike plates and rebate sets are available in a radiused format only.

reference	product description	door thickness	finish
Security strikeplates			
SA SSP1 R SS	Security strike plate for additional security improves BS EN 12209 security grade 3 to 7 (highest) applicable to 222 - Radiused end	44mm	stainless steel
SA SSP1 R EB	Security strike plate for additional security improves BS EN 12209 security grade 3 to 7 (highest) applicable to 222 - Radiused end	44mm	electro brass
SA SSP2 R SS	Security strike plate for additional security improves BS EN 12209 security grade 3 to 7 (highest) applicable to 212 - Radiused end	All	stainless steel
SA SSP2 R EB	Security strike plate for additional security improves BS EN 12209 security grade 3 to 7 (highest) applicable to 212 - Radiused end	All	electro brass
SA SSP1E R SS	Extended security strike plate for additional security improves BS EN 12209 security grade 3 to 7 (highest) applicable to 222 - Radiused end	54mm	stainless steel
SA SSP1E R EB	Extended security strike plate for additional security improves BS EN 12209 security grade 3 to 7 (highest) applicable to 222 - Radiused end	54mm	electro brass
Square forends			
SA FE1 SQ SS	Square forend applicable to lock 222	All	stainless steel
SA FE1 SQ EB	Square forend applicable to lock 222	All	electro brass
SA FE2 SQ SS	Square forend applicable to lock 212	All	stainless steel
SA FE2 SQ EB	Square forend applicable to lock 212	All	electro brass
SA FE3 SQ SS	Square forend applicable to lock 303	All	stainless steel
SA FE3 SQ EB	Square forend applicable to lock 303	All	electro brass
SA FE4 SQ SS	Square forend applicable to lock 393, 323, 383	All	stainless steel
SA FE4 SQ EB	Square forend applicable to lock 393, 323, 383	All	electro brass
SA FE5 SQ SS	Square forend applicable to lock 353, 372	All	stainless steel
SA FE5 SQ EB	Square forend applicable to lock 353, 372	All	electro brass
Square strikeplates			
SA SP1 SQ SS	Square strike plate applicable to lock 222, 353, 372	44mm	stainless steel
SA SP1 SQ EB	Square strike plate applicable to lock 222, 353, 372	44mm	electro brass
SA SP2 SQ SS	Square strike plate applicable to lock 212	All	stainless steel
SA SP2 SQ EB	Square strike plate applicable to lock 212	All	electro brass
SA SP3 SQ SS	Square strike plate applicable to lock 303, 323, 383, 393	44mm	stainless steel
SA SP3 SQ EB	Square strike plate applicable to lock 303, 323, 383, 393	44mm	electro brass
Extended strikeplates			
SA SP1E R SS	Extended radiused strike plate applicable to lock 222, 353, 372	54mm	stainless steel
SA SP1E R EB	Extended radiused strike plate applicable to lock 222, 353, 372	54mm	electro brass
SA SP3E R SS	Extended radiused strike plate applicable to lock 303, 323, 383, 393	54mm	stainless steel
SA SP3E R EB	Extended radiused strike plate applicable to lock 303, 323, 383, 393	54mm	electro brass
Rebates & cylinders			
SA REB 12.5 SS	12.5mm rebate set, radiused	n/a	stainless steel
SA REB 12.5 EB	12.5mm rebate set, radiused	n/a	electro brass
SA REB 25 SS	25mm rebate set, radiused	n/a	stainless steel
SA REB 25 EB	25mm rebate set, radiused	n/a	electro brass
CYLINDER AC	Please ensure that you specify 'AC' style cylinders available Securefast Plus and Securefast Premier only (see technical alert on page 5)	n/a	n/a
Lever handles			
SHA1200	20mm return to door lever handles, sprung rose mounted bolt fixed compliant with BS8300	n/a	stainless steel

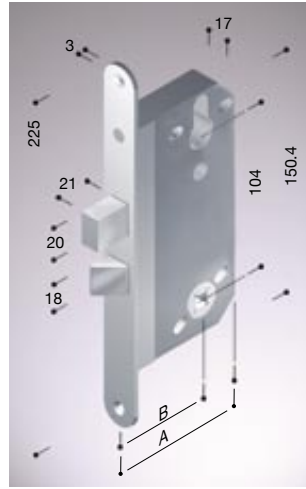
Accessible turns & keybows

reference	product description	finish
SA SNT SS	Accessible turn fitted to Securefast Plus or Premier cylinder, full length (see selection chart)	stainless steel
SA SNT PB	Accessible turn fitted to Securefast Plus or Premier cylinder, full length (see selection chart)	polished brass
SA SNT MINI SS	Accessible turn fitted to Securefast Plus or Premier cylinder, reduced length (see selection chart)	stainless steel
SA SNT MINI PB	Accessible turn fitted to Securefast Plus or Premier cylinder, reduced length (see selection chart)	polished brass
SA ABT SS	Accessible bathroom turn & indicator set, full length (see selection chart)	stainless steel
SA ABT ES	Accessible bathroom turn & indicator set, full length (see selection chart)	electro brass
SA ABT MINI SS	Accessible bathroom turn & indicator set, full length (see selection chart)	stainless steel
SA ABT MINI EB	Accessible bathroom turn & indicator set, full length (see selection chart)	electro brass
SA BOW R	Accessible key bow fitted to Securefast Plus or Premier keys	red
SA BOW B	Accessible key bow fitted to Securefast Plus or Premier keys	blue

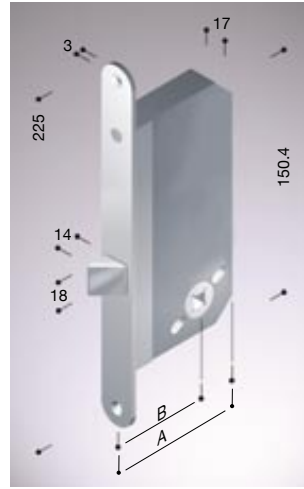
Product dimensional information



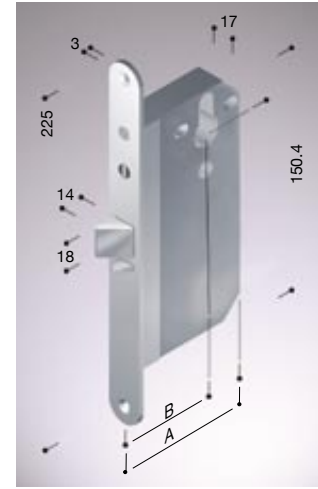
Deadlock	A	B
SA 212 50 SS R	74.5	50
SA 212 70 SS R	94.5	70



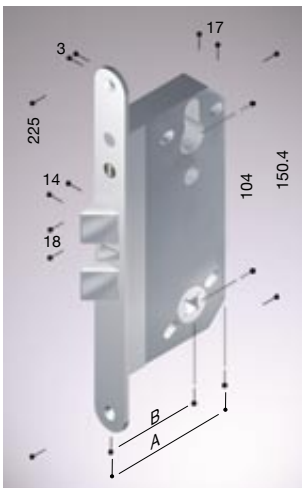
Sashlock	A	B
SA 222 50 SS R	74.5	50
SA 222 70 SS R	94.5	70



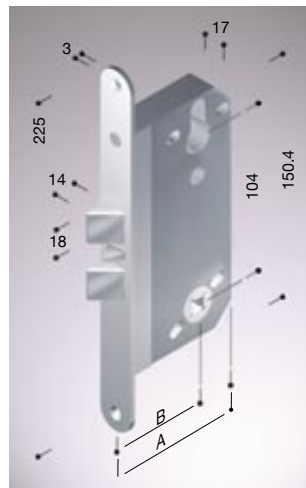
Latch	A	B
SA 303 50 SS R	74.5	50
SA 303 70 SS R	94.5	70



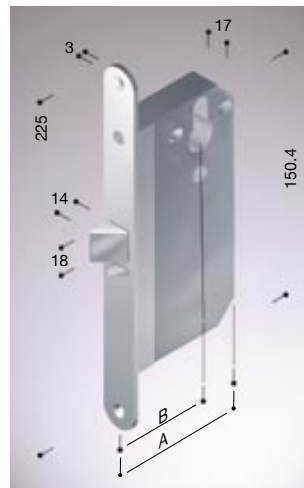
Deadlocking nightlatch with hold-back snib	A	B
SA 323 50 SS R	74.5	50
SA 323 70 SS R	94.5	70



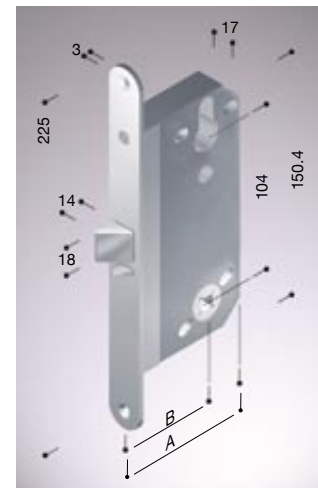
Double nightlatch with hold-back snib	A	B
SA 353 50 SS R	74.5	50
SA 353 70 SS R	94.5	70



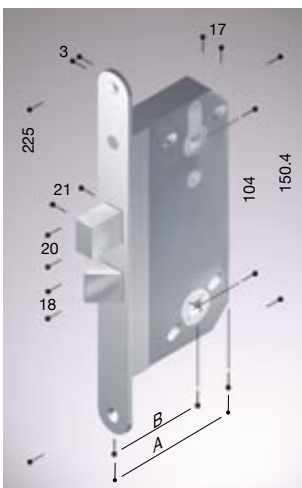
Double nightlatch without hold-back snib	A	B
SA 372 50 SS R	74.5	50
SA 372 70 SS R	94.5	70



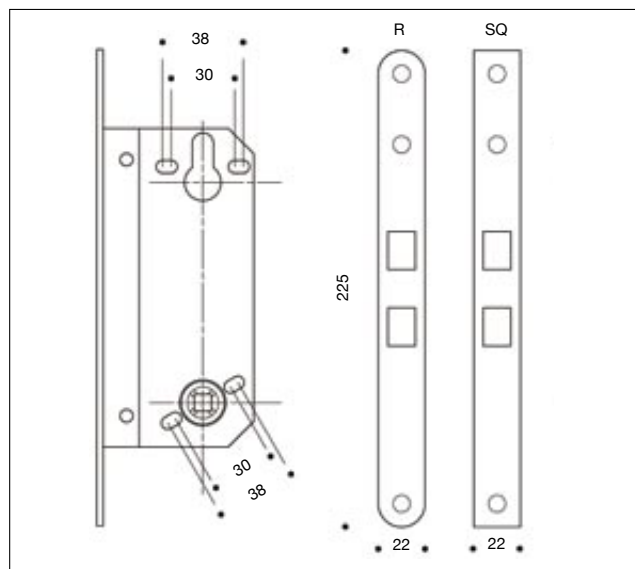
Deadlocking nightlatch without hold-back snib	A	B
SA 383 50 SS R	74.5	50
SA 383 70 SS R	94.5	70



Emergency nightlatch	A	B
SA 393 50 SS R	74.5	50
SA 393 70 SS R	94.5	70

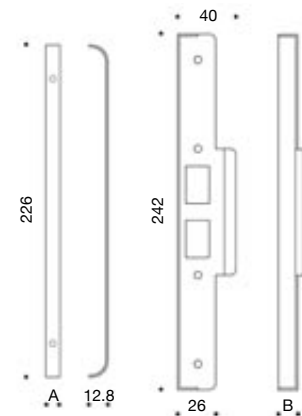


Bathroom lock	A	B
SA 400 50 SS R	74.5	50
SA 400 70 SS R	94.5	70



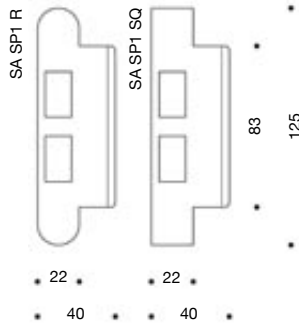
Rebate sets

Suitable for all lock types

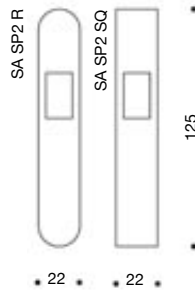


Rebate set	A	B
12.5mm rebate	9.6	13.2
25mm rebate	22.1	26.2

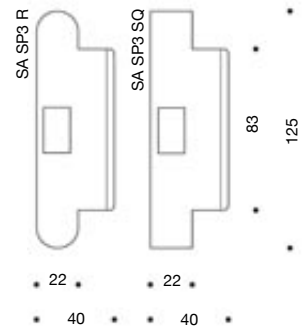
Standard strike plates
222 sashlock
353 & 372 double nightlatch



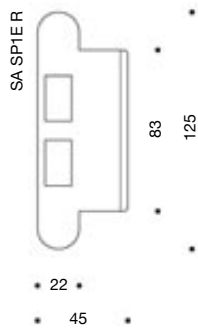
Standard strike plates
212 deadlock



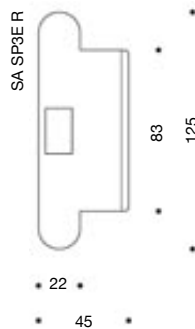
Standard strike plates
303 latch
323 & 383 deadlocking nightlatch
393 emergency nightlatch



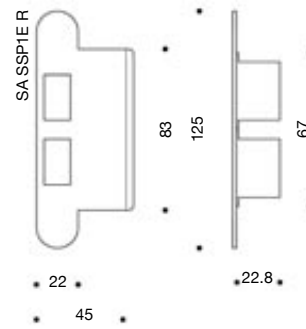
Extended strike plate
222 sashlock
353 & 372 double nightlatch



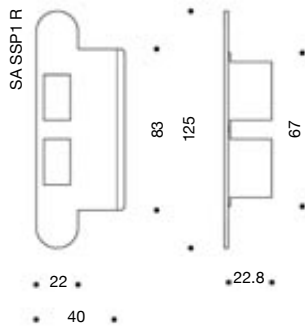
Extended strike plate
303 latch
323 & 383 deadlocking nightlatch
393 emergency nightlatch



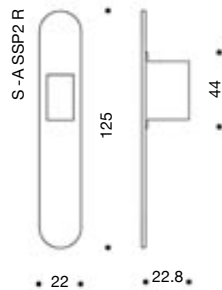
Extended Security strike plate
222 sashlock



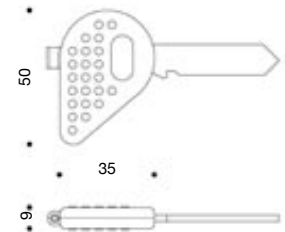
Security strike plate
222 sashlock



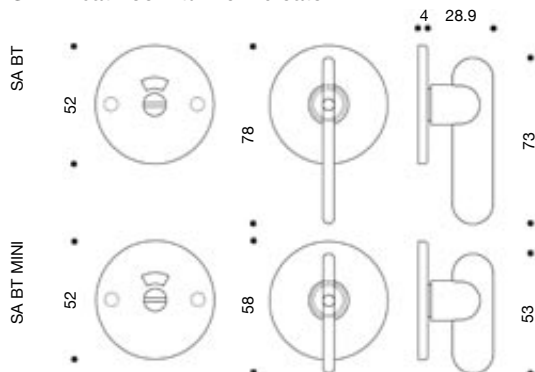
Security strike plate
212 deadlock



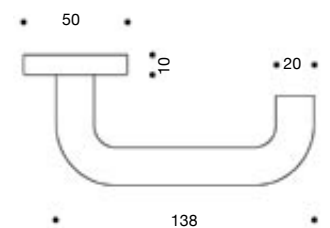
Accessible key bow



SA BT bathroom turn & indicator



SHA1200 Accessible Lever handle



Meeting the standard - EN 12209: 2003

BS EN 12209 Building Hardware - Mechanically operated locks, latches and locking plates

BS EN 12209 classifies mechanically operated locks, latches and locking plates using an 11 digit coding system. Features assessed include normal use (and abuse) forces, long-term durability, fire/smoke resistance, corrosion and temperature resistance and security, both manipulative and physical.



Where the Securefast lock meets the highest Grade available it is marked with this icon.

			SECUREFAST^{PLC}			
			222*	212*	303	
Category of Use		Criteria Linked to the frequency of use. 3 Grades are identified	Grades Available Grades 1 to 3 cover from low frequency of use to high frequency	3	3	3
Durability		Durability testing with and without side loading. 12 Grades are identified	Grades A to X according to the number of operations and side load applied	X	X	X
Door Mass & Closing Force		Measures the force required to overcome the latch to simulate ease of closing	Grades 1 to 9 used according to door weight and closing force required	5	5	5
Fire Resistance		Suitability for use on fire/smoke doors according to fire testing	Grade 0 not approved for fire doors, Grade 1 is suitable for use on fire doors	1	1	1
Safety		No requirement	No requirement	0	0	0
Corrosion		Neutral salt spray testing in accordance with EN 1670	Grades 0 to G where 0 is no requirement and G is tested up to 240 hours at -20°C to +80°C	G	G	G
Security & Drill Resistance		Measures resistance to attack including drilling	Grades 1 to 7 where grade 7 has the greatest resistance to attack	7	7	-
Field of Door Application		Identifies the type of application such as hinged or sliding doors etc.	15 categories are identified according to door type and locking requirements	B	B	B
Key Operation		Identifies the means of locking	9 categories are identified according to the means of operating the locking function	A	A	0
Spindle Operation		Identifies the lever/follower springing related to operating hardware	Grades 0 to 4 depending on the hardware springing required. Grade 2 is for unsprung furniture	2	0	2
Key Identification		Grading is by a combination of key differs and number of levers	9 grades identified where grade H highest number of differs and levers. 0 is applicable for cylinder lockcases	0	0	0

The following Securefast Accessible items are included:

222 mortice sashlock, 212 mortice deadlock and 303 mortice latch

* The classifications for 222 and 212 vary according to Grade 7 or Grade 3 security variants. Please see page 5 for further details.

BS EN 1634-1:2000 'Fire resistance tests for doors and shutter Assemblies - Part 1: Fire doors and shutters'

Two specimens of single-acting, single leaf doorsets incorporating the Securefast Accessible lock, Securefast cylinders and other various items of building hardware were tested against EN 1634-1:2000. The Securefast Accessible lock and Securefast cylinders were successful for the test duration of 4 hours (steel uninsulated doorsets) and 1 hour (timber doorsets).

The following Securefast Accessible items were included:

222 mortice sashlock, 212 mortice deadlock, 303 mortice latch, 393 emergency nightlatch, 353 double nightlatch and 323 deadlocking nightlatch



CE Marking

CE marking is set out in the Construction Products Directive and is placed onto the UK market by the Government through the Construction Product Regulations 1991. CE is also endorsed by the Building Regulations Part M.

It is of significance for hardware products in relation to Fire and Escape situations.

For a product to be CE marked (where compliance has to be demonstrated on the product or the packaging) the product has met the following requirements:

- Successfully tested to the relevant EN performance standard i.e. BS EN 12209:2003
- Has been successful in a fire resistance test to BS EN 1634-1:2000
- The factory in which the product is produced has been approved by a regulatory authority
- The manufacturer satisfactorily maintains a programme of audit testing

Whilst the preceding details describe the most appropriate method of achieving CE marking, other routes may be used including self-certification.

The Construction Products Directive mandated that by the end of 2004 that locks could be CE marked and further mandated that products in Escape and Fire situations must be CE marked by December 2005.

The following Securefast Accessible items are CE marked

222 mortice sashlock, 212 mortice deadlock and 303 mortice latch

Compliance summary

lock ref	lock type	BS EN 12209 compliance	BS EN 1634-1 fire compliance	CE Marked	BS EN 12209 Classification
222	sashlock	★	★		3X510G7BA20 or 3X510G3BA20 *
212	deadlock	★	★		3X510G7BA00 or 3X510G3BA00 *
303	latch	★	★		3X510G-BA20
393	emergency nightlatch		★		
353 & 372	double nightlatch		★		
323 & 383	deadlocking nightlatch		★		

* The classifications for 222 and 212 vary according to Grade 7 or Grade 3 security variants. Please see page 5 for further details.

SECUREFAST PLC

Meadowdale Works, Dimminsdale, Willenhall, West Midlands WV13 2BE
Tel: (01902) 607503 Fax: (01902) 609327 Email: sales@securefast.co.uk

www.securefast.co.uk