

SED912 3-Point Panic Bolt



The universal latch keep supplied with each unit can be morticed into the frame or surface mounted, thus reducing the fitting time, making the product ideal for steel door frames.

To complement the product, packers are available to off-set the 3 Point Panic Bolt off the door when using steel frames to prevent the bolts from interfering with the inside of the section.

The new 3-Point Panic Bolt is ideal for single door applications, has been certified to EN1125:2008, CE Marked for safety and fire rated for use on timber and steel doors.

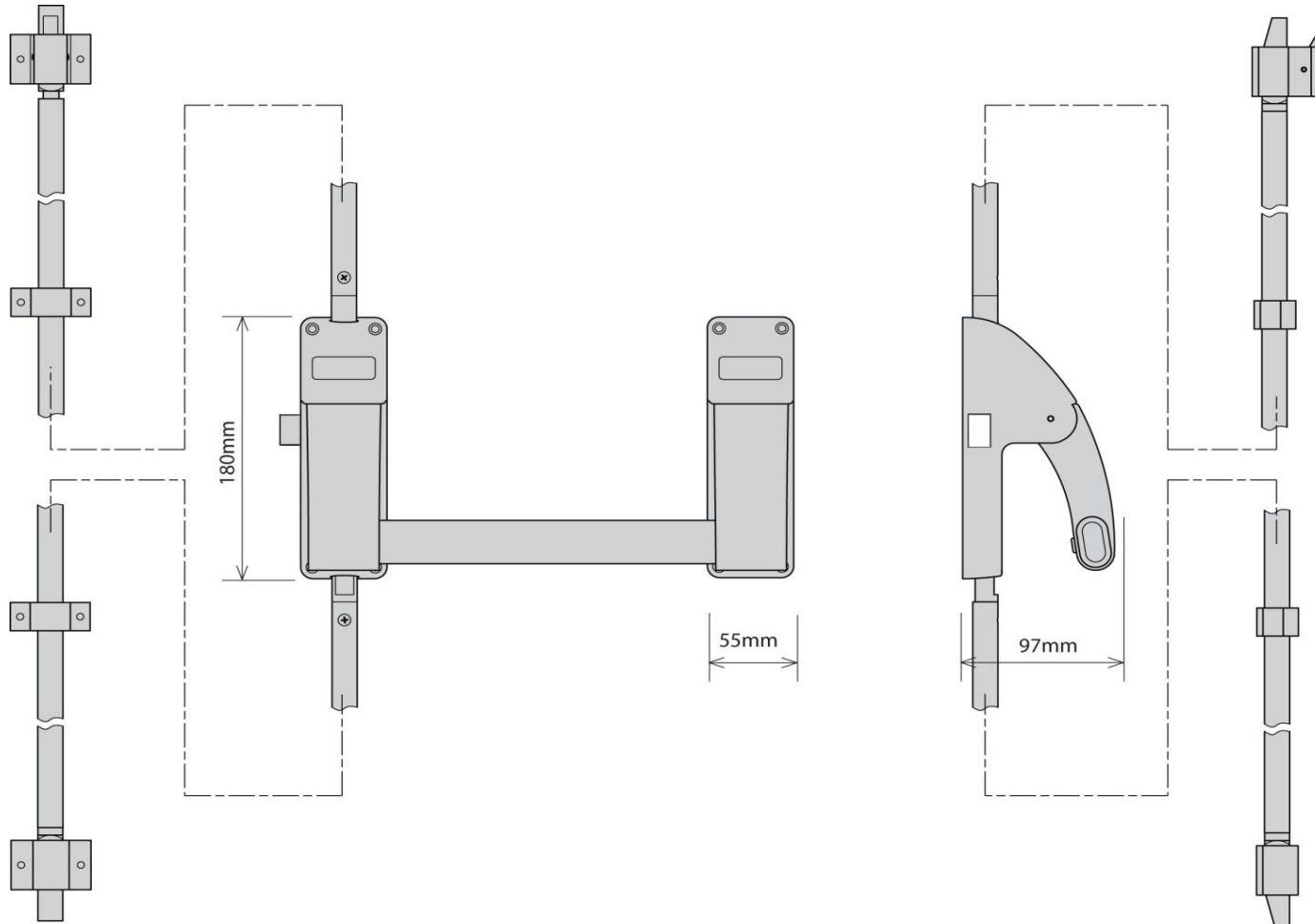
The Securefast traditional style range of Panic and Emergency Exit Hardware has been increased at the request of customers to include the new SED912 3-Point Panic Bolt, offering increased security by adding a centre latch bolt to the top and bottom shoot bolts.

Features & Benefits

- Certified to EN1125:2008 – Classification Code: 3-7-6-B-1-4-2-2-A-B
- Fire rated for use on timber and steel doors
- Can be fitted with an Outside Access Device either with knob or lever handle
- Tested to 240 salt spray hours making it ideal for humid environments
- CE marked for safety
- Traditional shoot bolt with ± 5 mm of adjustment
- Modern style appearance
- Easy to fit
- Adjustable for left and right handed applications

SED912 3-Point Panic Bolt

Technical Drawing



For further information contact:

Securefast plc
Unit 6 & 7
The Cedars Business Centre
Avon Road, Cannock
Staffordshire
WS11 1QJ



Call > +44 (0) 1543 501600

Email > sales@securefast.co.uk

Visit > www.securefast.co.uk