

### Wireless Switch Range



T4X4-1



T4X4-2



T4X4-3



T4X4-4



T4X4-5



T4X4-6

### Wireless

*Our compact range of wireless switches can be specified or installed on applications where continuous performance is required whilst dependable and responsive.*

Black ABS back box is available with a unique battery change-out facility; battery can be exchanged without the removal of the switch. Tamper resistant slot is held in position with the switch and cannot be removed or lost.

A number of standard and custom bollards are available to special order.

### Features & Benefits

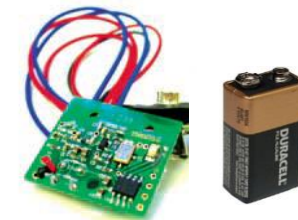
- Active Stainless Steel Buttons
- Unique integral battery change compartment
- Local radio transmitter
- Battery cover is retained by switch
- Registered design
- Surface mounted panels



TR5101 Receiver



Custom Bollards



T5802-MOD Radio Transmitter including back box

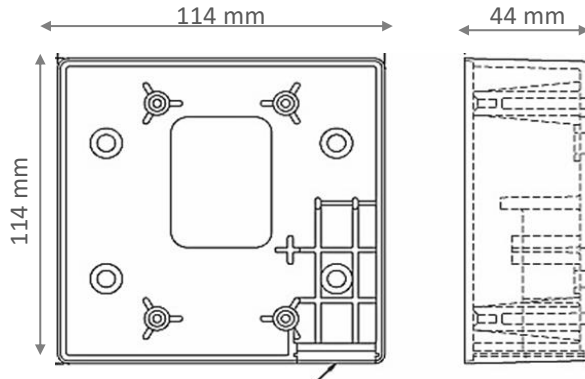
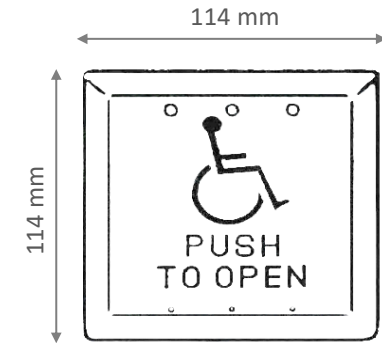


TSURF4SB Back Box

*These wireless switches are also available as narrow style (W45 x H114mm)*

## Wireless Switch Range

Wireless Switch Kit Range	
TRFKIT-1	Kit with blank switch (T4X4-1) - transmitter and back box
TRFKIT-2	Kit with switch (T4X4-2) - engraved 'Push to Open', transmitter and back box
TRFKIT-3	Kit with switch (T4X4-3) - engraved 'Push to Open' with Wheelchair logo, transmitter and back box
TRFKIT-4	Kit with switch (T4X4-5) - engraved with Wheelchair logo, transmitter and back box
TSURF4SB	Surface Back Box with Battery Door
T5802-MOD	Radio Transmitter modified for use with switch and back box
TR5101	Single Channel Receiver - 30 codes 12-24V ac/dc 433,92MHz



BATTERY COMPARTMENT ACCESS COVER  
 BLACK ABS MATERIAL EQUIPPED FOR WIRED OR  
 WIRELESS APPLICATION. USED WITH  
 4 1/2" SQ SWITCHES

For further Information contact:

Tate Solutions  
 c/o Securefast plc.  
 Unit 6 & 7  
 The Cedars Business Centre  
 Avon Road, Cannock  
 Staffordshire  
 WS11 1QJ

Call > +44 (0) 1543 501600

Email > sales@tatesolutions.co.uk

Visit > www.tatesolutions.co.uk