

Fire Door Hold Open Magnets – AEM19001 & AEM19002



AEM19001



The new Fire Door Hold Open Magnets are designed for holding open doors in a public area, and released where the doors are closed in the event of fire detection.

The Magnets are ideal units for swing fire doors. Both units are designed with heavy duty steel construction making the units suitable for swing door systems in most environments.



AEM19002



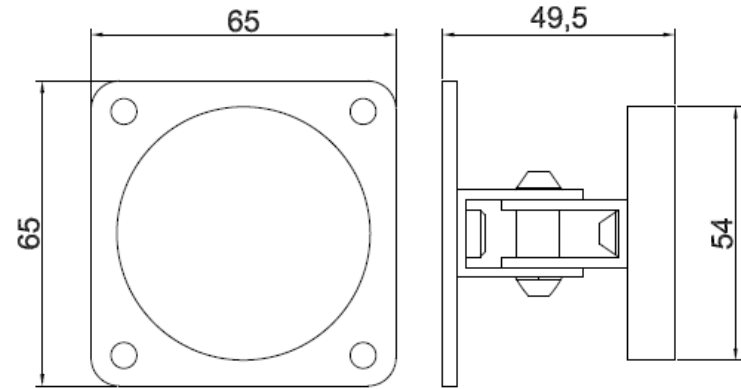
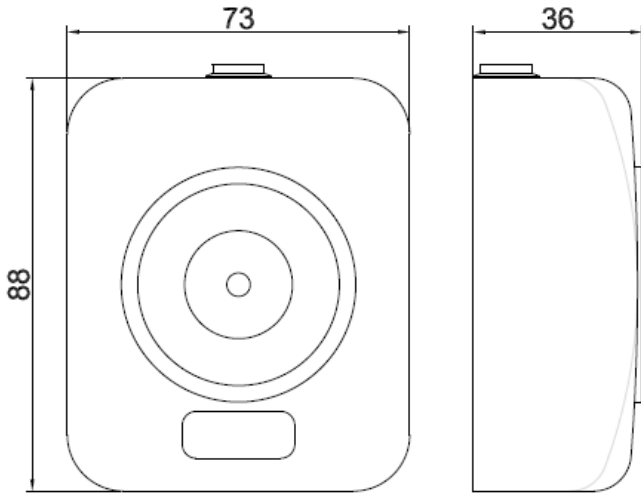
Features & Benefits

- Surface mounts to standard BS wiring boxes
- Holding force 55kg
- Heavy duty steel construction
- Fitted with an integral release button
- Units are supplied with armature plate
- Units can be used in conjunction with any suitable fire alarm system
- Residual anti-magnetism pin on the electromagnet body
- Operating voltage: 24 vdc
- Absorbed current: 70 mA
- Nickel plated magnetic block
- Wall Mounted units
- Connector with anti-disturb varistor
- AEM19001 body is in black ABS with galvanized steel base
- AEM19002 body is in anodized aluminium with galvanized steel base

Product Code	
AEM19001	Fire Door Hold Open Magnet 24vdc Plastic
AEM19002	Fire Door Hold Open Magnet 24vdc Anodized Aluminium

Fire Door Hold Open Magnets – AEM19001 & AEM19002

Technical Drawing



Certification

CEN Standard	Classification Code					
EN 1155:2003	3	8	3	1	1	3
			7			

For further information contact:

Securefast plc
 Unit 6 & 7
 The Cedars Business Centre
 Avon Road, Cannock
 Staffordshire
 WS11 1QJ



Call > +44 (0) 1704 502801

Email > sales@securefast.co.uk

Visit > www.securefast.co.uk