

### SCLAK – Bluetooth Access Control



Product shown: ALAK001 SCLAK Bluetooth Unit

#### The SCLAK can be used in a variety of applications;

- Domestic Applications
- Hotel Rooms
- Holiday Lets
- Commercial
- Sports & Fitness Centres
- Colleges
- Universities

*SCLAK is an access control system with a smartphone application that can be used to substitute physical keys when opening doors and gates.*

*The unit simply fits between the Power Supply Unit and electrical locking device such as an electric release on the safe side of the door.*

SCLAK is incredibly easy to install and suitable for anything from a domestic premises to an industrial unit. SCLAK requires no internet connection and can be operated by devices equipped with Bluetooth 4.0 and later.

Simply access the app on your mobile to open the door.

#### Deedlock Stand Alone SCLAK Access Control Kit

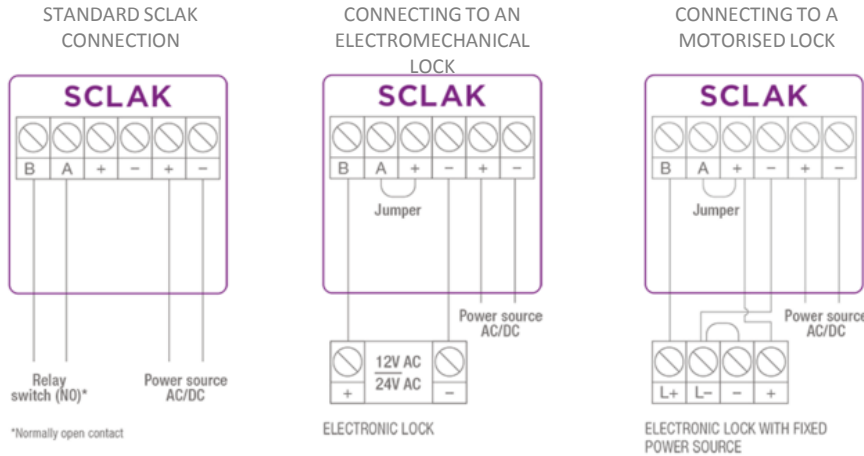
##### AKT4235

Contains;

- 12v DC 1A PSU
- SCLAK Unit
- Rim Electric Release with Mortice Plate



### SCLAK – Bluetooth Access Control



#### How can I wire the SCLAK unit?

Power cables can be inserted through the holes either on the back of the unit, or on the bottom. If the unit is wired using the holes on the bottom the cables will be visible.

#### Can the SCLAK unit be installed outdoors?

Yes, the SCLAK unit can be installed both inside the property and outdoors. The unit is equipped with insulated seals that can be applied both internally and at the entrance to the wired on the bottom, With the seals applied, the unit has protection level IP44. The unit is certified to operate between -20° and +60° C

#### Is the SCLAK unit anti- vandal?

The SCLAK unit is not anti-vandal as the unit should be installed on the inside or the 'safe side' of the door, therefore there is no need for it to be protected. Although it is possible to install the unit inside a protective housing, we do not recommend that as it may stop the Bluetooth connection.

#### Can I install the SCLAK unit inside the wall?

Yes, SCLAK can be installed outside on the wall, or in power boxes inside the wall, as long as the unit is connected to power and the electric lock, and also does not block the Bluetooth connection.

| Features & Benefits   |                                |
|-----------------------|--------------------------------|
| Size                  | 50(W) x 50(H) x 24(D)mm        |
| Power                 | AC-DC 12-24v                   |
| Power                 | Max 1W                         |
| Output                | No Relay Contact (Monostable)  |
| Max Output            | 1A                             |
| Certificate Of        | CE Conformity Marking          |
| Operating Temperature | -20 +60°C                      |
| Frequency             | 2.4 GHZ                        |
| Protection            | IP 44 (If Installed Correctly) |
| Connectivity          | Bluetooth 4.1                  |



For further information contact:

Securefast plc  
 Unit 6 & 7  
 The Cedars Business Centre  
 Avon Road, Cannock  
 Staffordshire  
 WS11 1QJ



Call > +44 (0) 1704 502801

Email > sales@securefast.co.uk

Visit > www.securefast.co.uk